

## Item description/product images



## Description

**Material, version:**

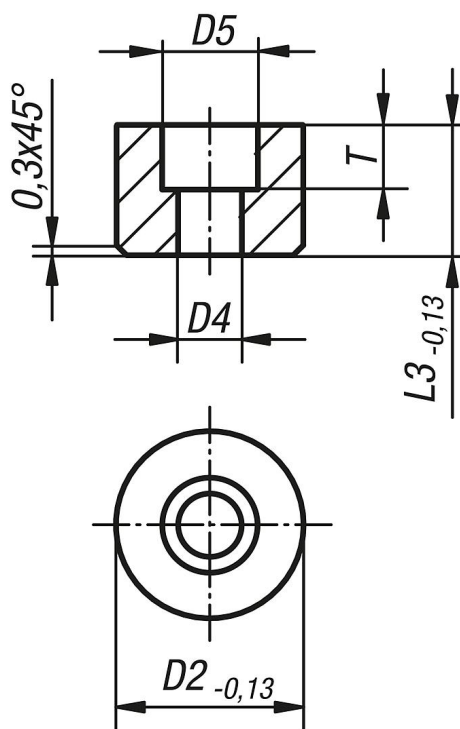
Form K white POM

**Note:**

Grippers and inserts are ideal for use in clamping arms, gripping systems, clamping fixtures, clamping jaws and self-aligning pads. The use of grippers allows the transfer of very high torque values and above average grip, even with hard materials and surface irregularities.

## Drawings

Ⓚ



## Overview of items

Order No.	Form	D2	D4	D5	L3	T
07113-110109	K	10	3,4	6	10	5
07113-110129	K	10	3,4	6	12	5
07113-112109	K	12	4,5	9	10	5,6
07113-112129	K	12	4,5	9	12	5,6
07113-116109	K	16	5,5	11	10	6,6
07113-116129	K	16	5,5	11	12	6,6
07113-120109	K	20	6,6	11	10	7,6
07113-120129	K	20	6,6	11	12	7,6
07113-125109	K	25	6,6	11	10	7,6
07113-125129	K	25	6,6	11	12	7,6

