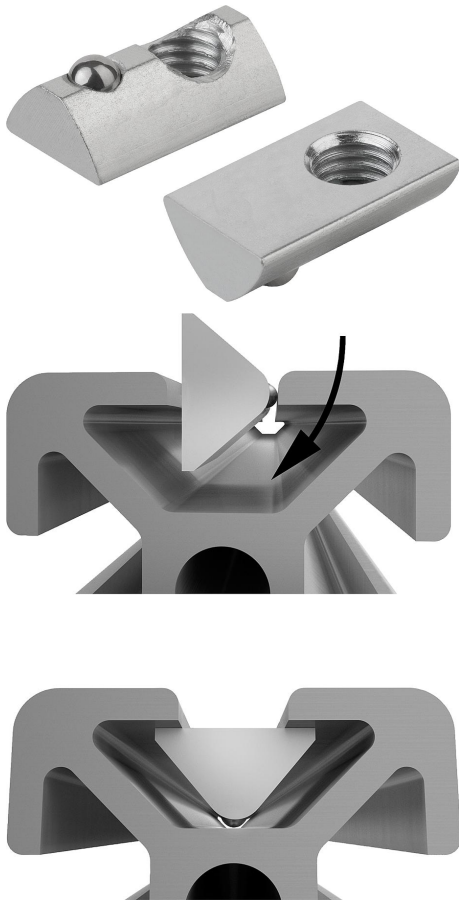


Item description/product images



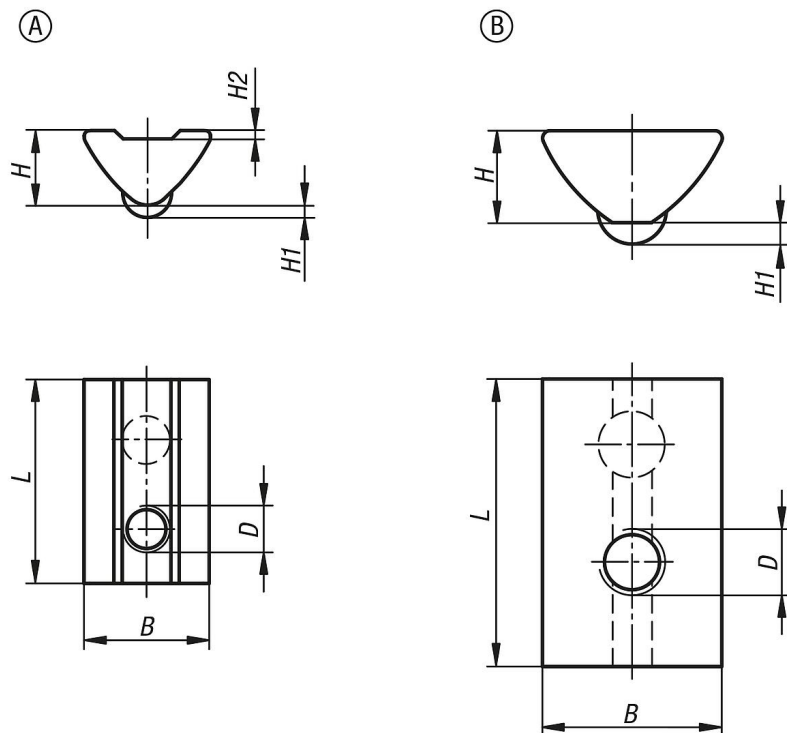
Description

Material:
Steel.

Version:
Electro zinc-plated.

Note:
The slot nut is twisted into the profile slot and so can be subsequently inserted into existing systems. The spring-loaded ball allows the nut to be fixated anywhere in the profile slot.

Drawings



Overview of items

Order No.	Form	Slot width	D	B	H	H1	H2	L
07071-0604	A	6	M4	10,5	6,3	1	0,7	17
07071-0605	A	6	M5	10,5	6,3	1	0,7	17
07071-0606	A	6	M6	10,5	6,3	1	0,7	17
07071-0804	B	8	M4	13,7	7	1,7	0,7	22
07071-0805	B	8	M5	13,7	7	1,7	0,7	22
07071-0806	B	8	M6	13,7	7	1,7	0,7	22
07071-0808	B	8	M8	13,7	7	1,7	0,7	22