

Item description/product images

**Description****Material:**

Carbon steel.

Version:

Black oxidised.

Note:

Every swivel bale undergoes an additional visual inspection after load testing (5x safety factor).

A safety data sheet for installation is included with every swivel bale.

Do not use spacer washers between the bush flange and support beam.

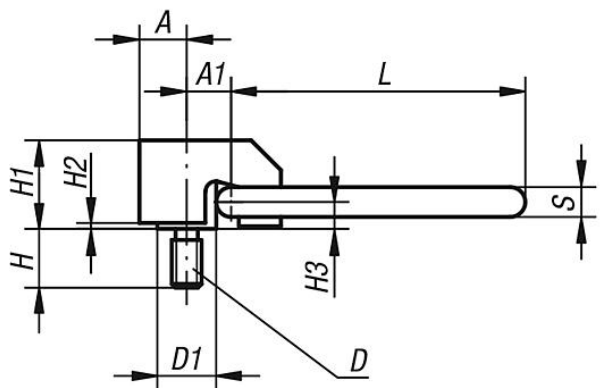
Tighten the screws to the stated torque and check and re-tighten regularly. After installation check if the bale swivels and turns freely in all directions.

Lift with care! Avoid impacts!

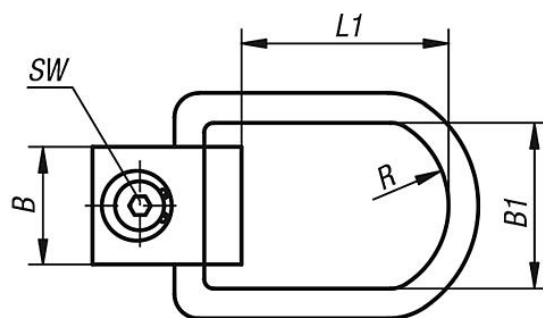
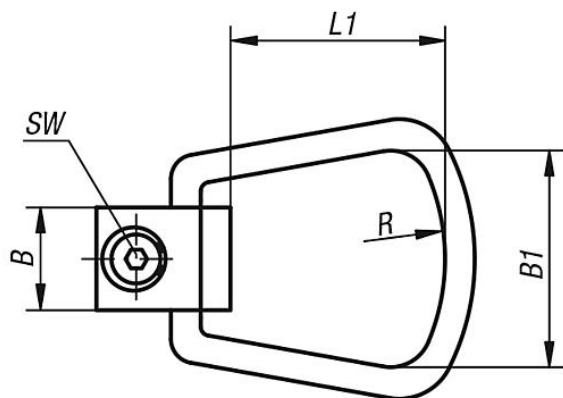
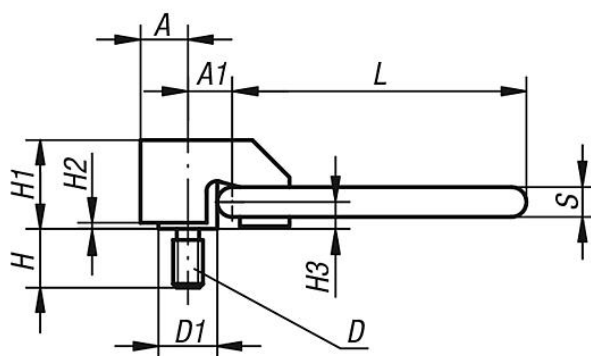
In no event must the permissible load stamped on the swivel bale be exceeded.

Drawings

07752-08
07752-10



07752-12
07752-16
07752-20



Overview of items

| Order No. | A | A1 | B | B1 | D | D1 | H | H1 | H2 | H3 | L | L1 | R | S | SW | Tightening torque Nm | max. permissible load kg |
|-----------|------|------|------|------|-----|------|------|------|-----|------|-------|------|------|------|----|----------------------|--------------------------|
| 07752-08 | 12,7 | 12,7 | 25,4 | 44,5 | M8 | 15,8 | 15,8 | 23,8 | 1,6 | 7,2 | 75,4 | 52,4 | 25,4 | 7,9 | 6 | 4,2 | 325 |
| 07752-10 | 12,7 | 12,7 | 25,4 | 44,5 | M10 | 15,8 | 19,8 | 23,8 | 1,6 | 7,2 | 75,4 | 52,4 | 25,4 | 7,9 | 6 | 6 | 500 |
| 07752-12 | 19,8 | 23,8 | 41,3 | 50,8 | M12 | 25,4 | 23,8 | 40,1 | 2 | 11,1 | 120,7 | 82,6 | 38,1 | 12,7 | 10 | 20 | 725 |
| 07752-16 | 19,8 | 23,8 | 41,3 | 50,8 | M16 | 25,4 | 31,8 | 40,1 | 2 | 11,1 | 120,7 | 82,6 | 38,1 | 12,7 | 10 | 40 | 1400 |
| 07752-20 | 19,8 | 23,8 | 41,3 | 50,8 | M20 | 25,4 | 39,7 | 40,1 | 2 | 11,1 | 120,7 | 82,6 | 38,1 | 12,7 | 10 | 70 | 2290 |