

Item description/product images



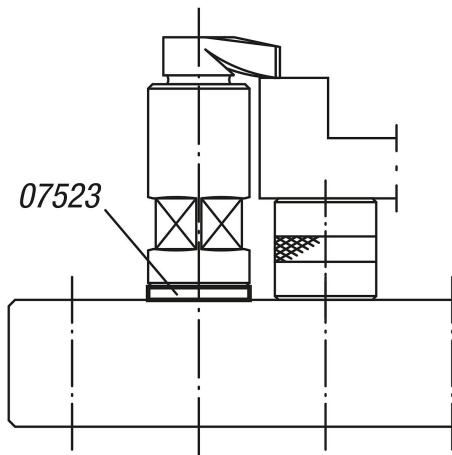
Description

Material:

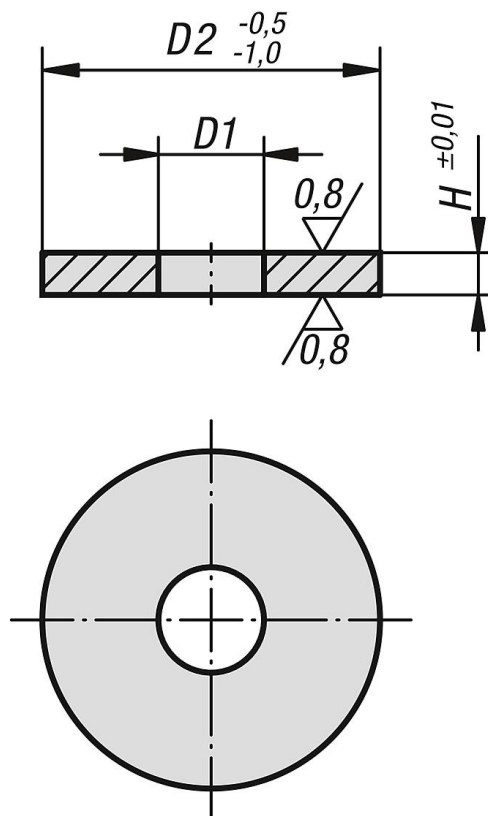
Carbon steel.

Version:Tempered, black oxidised.
Contact faces ground.**Note:**

The spacing washer is used to alter the clamping range of hook clamps and hook holders. When a spacing washer is inserted between the base and the hook holder or riser cylinder it prevents damage to the support face.



Drawings



Overview of items

Order No.	D1	D2	H
07523-08003	9	24	3
07523-08005	9	24	5
07523-08008	9	24	8
07523-12001	12,5	40	1
07523-12003	12,5	40	3
07523-12005	12,5	40	5
07523-16001	16,5	50	1
07523-16003	16,5	50	3
07523-16005	16,5	50	5
07523-16105	16,5	60	5