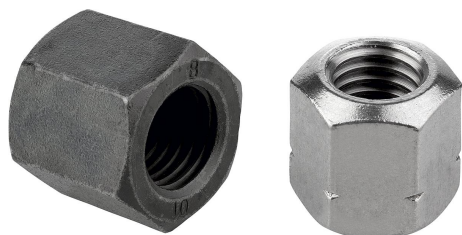


Item description/product images



Description

Material:

Carbon steel or stainless steel A2.

Version:

Steel grade 10, bright (blackened).

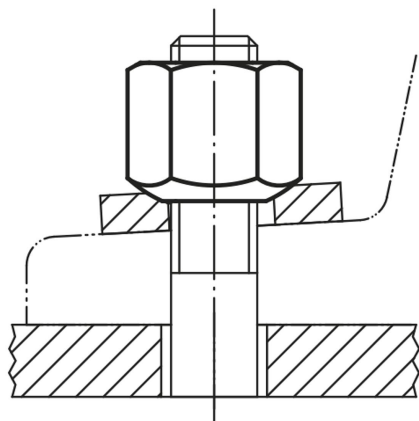
Stainless steel A2-70, bright

Note:

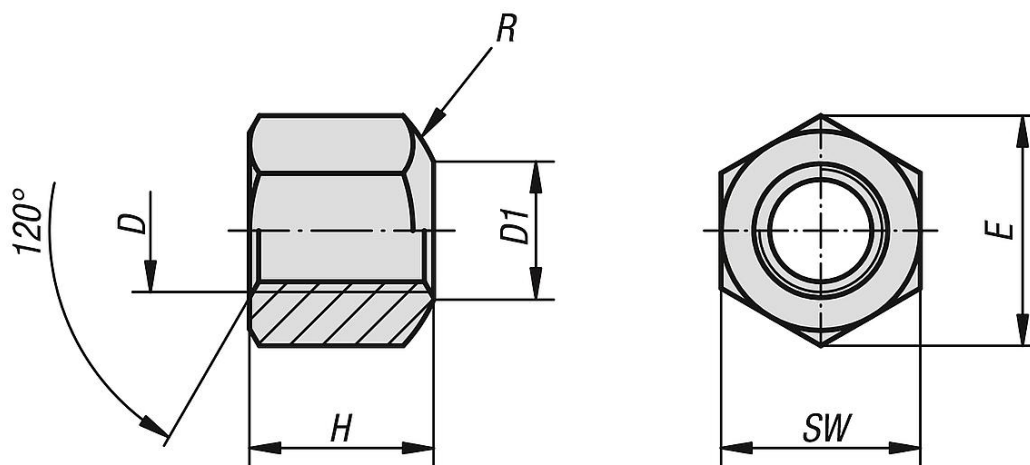
These nuts can be used with spherical washers 07420 Form D and G.

Features:

Form B: with spherical face one end



Drawings



Overview of items

Order No.	Main material	D	H = 1,5 x D	D1	SW	E	R
07260-05	high carbon steel	M5	7,5	6,5	9	10,4	7
07260-06	high carbon steel	M6	9	7	10	11,5	9
07260-08	high carbon steel	M8	12	9	13	15	11
07260-10	high carbon steel	M10	15	11,5	16	18,4	15
07260-101	high carbon steel	M10	15	11,5	17	19,6	15
07260-12	high carbon steel	M12	18	14	18	20,7	17
07260-121	high carbon steel	M12	18	14	19	21,9	17
07260-14	high carbon steel	M14	21	16	22	25,4	20
07260-16	high carbon steel	M16	24	18	24	27,7	22
07260-18	high carbon steel	M18	27	20	27	31,2	24,5
07260-20	high carbon steel	M20	30	22	30	34,6	27
07260-22	high carbon steel	M22	33	24	32	36,9	29
07260-24	high carbon steel	M24	36	26	36	41,6	32

Overview of items

Order No.	Main material	D	H = 1,5 x D	D1	SW	E	R
07260-30	high carbon steel	M30	45	32	46	53,1	41
07260-36	high carbon steel	M36	54	38	55	63,5	50
07260-806	stainless steel A2	M6	9	7	10	11,5	9
07260-808	stainless steel A2	M8	12	9	13	15	11
07260-810	stainless steel A2	M10	15	11,5	16	18,4	15
07260-811	stainless steel A2	M10	15	11,5	17	19,6	15
07260-812	stainless steel A2	M12	18	14	18	20,7	17
07260-816	stainless steel A2	M16	24	18	24	27,7	22
07260-820	stainless steel A2	M20	30	22	30	34,6	27