

## Item description/product images



## Description

**Material:**

Housing, steel.  
Magnetic core NdFeB.

**Version:**

Housing, electro zinc-plated.

**Note:**

Shielded system. With the permanent magnetic material NdFeB the attractive force increases by ca. 10-20 % compared with SmCo.

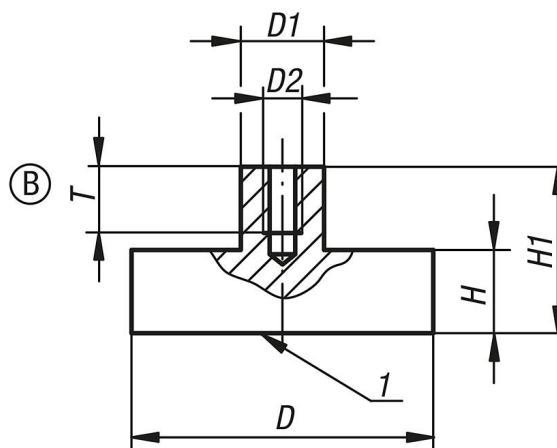
**Temperature range:**

max. 80°C.

**Drawing reference:**

1) magnetic face

## Drawings



## Overview of items

Order No.	Form	D	D1	D2	H	H1	T	Magnetic force N
09069-11	B	6 ±0,15	6	M3	4,5	11,5	6	5
09069-12	B	8 ±0,15	6	M3	4,5	11,5	7	13
09069-13	B	10 ±0,15	6	M3	4,5	11,5	7	25
09069-14	B	13 ±0,15	6	M3	4,5	11,5	6	60
09069-15	B	16 ±0,15	6	M4	4,5	11,5	7	95
09069-16	B	20 ±0,15	8	M4	6	13	9	140
09069-17	B	25 ±0,15	8	M4	7	14	9	200
09069-18	B	32 ±0,20	10	M5	7	15,5	10	350
09069-19	B	40 ±0,2	10	M6	8	18	13	670
09069-20	B	47 ±0,2	12	M6	9,2	20,5	13	750
09069-21	B	50 ±0,2	15	M8	10	22	13	1000

