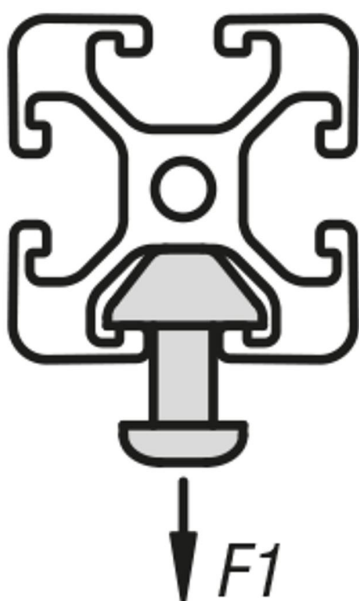
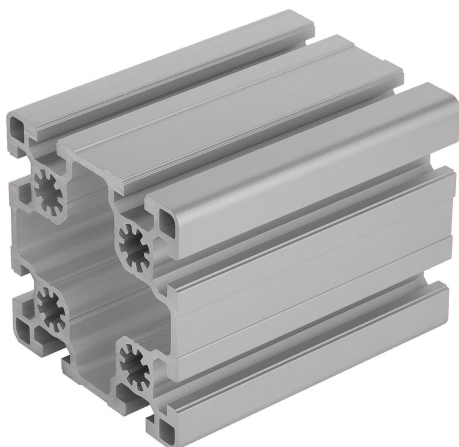
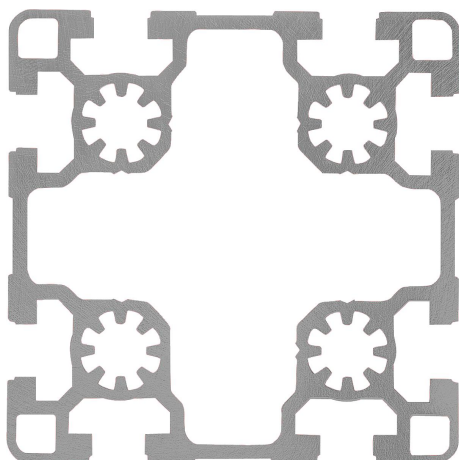


## Item description/product images

**Description****Material:**

Aluminium EN AW-6063 T66 (AlMgSi 0.5 F25)

**Version:**

Artificially aged, natural colour anodised.

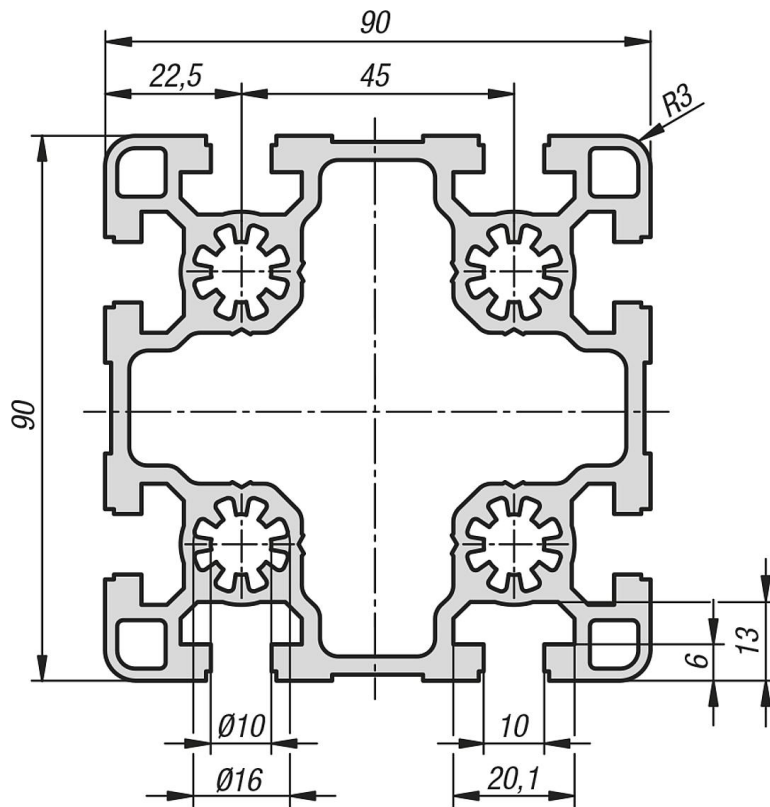
**Note:**

Lightweight aluminium profile for weight-optimised constructions.

**On request:**

Mitre cuts 15°, 30° and 45°.

Drawings



Overview of items

Order No.	Slot width	Profile	L	Ix cm <sup>4</sup>	Iy cm <sup>4</sup>	Wx cm <sup>3</sup>	Wy cm <sup>3</sup>	Profile area cm <sup>2</sup>	F1 max. kN	Approx. weight kg/m
10157-109090X1000	10	90x90	1000	210,5	210,5	46,78	46,78	23,46	12	6,34

Information about this article

If your desired length is not shown, please contact our professional personal. The maximum length we can supply is 6000mm. Order now here.