

Item description/product images



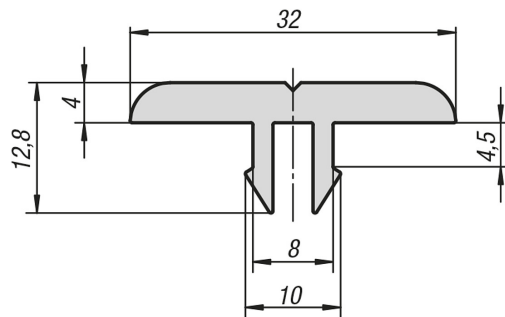
Description

Material:
Polyethylene-HD.

Version:
black.

Note:
Low-wear slide rail with low slide friction for easy handling of goods. Slide rails can also be used as cover protection, impact protection and guide rails.

Drawings



Overview of items

Order No.	Type	Slot width	Length
10330-081321	I	8	2000