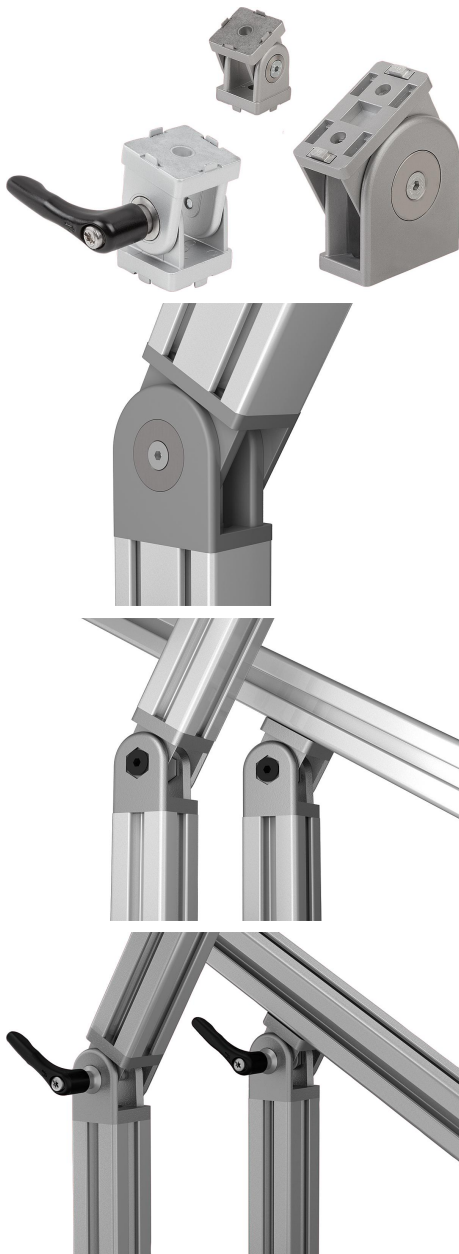


## Item description/product images

**Description****Material:**

Joint die-cast zinc.  
 Fastenings die-cast zinc.  
 Spacer rings stainless steel.  
 Tapped bushes and countersunk screws steel.  
 Handle die-cast zinc DIN EN 12844. Steel parts stainless steel 1.4305.  
 The 40x80 and 45x90 joints are made from aluminium.

**Version:**

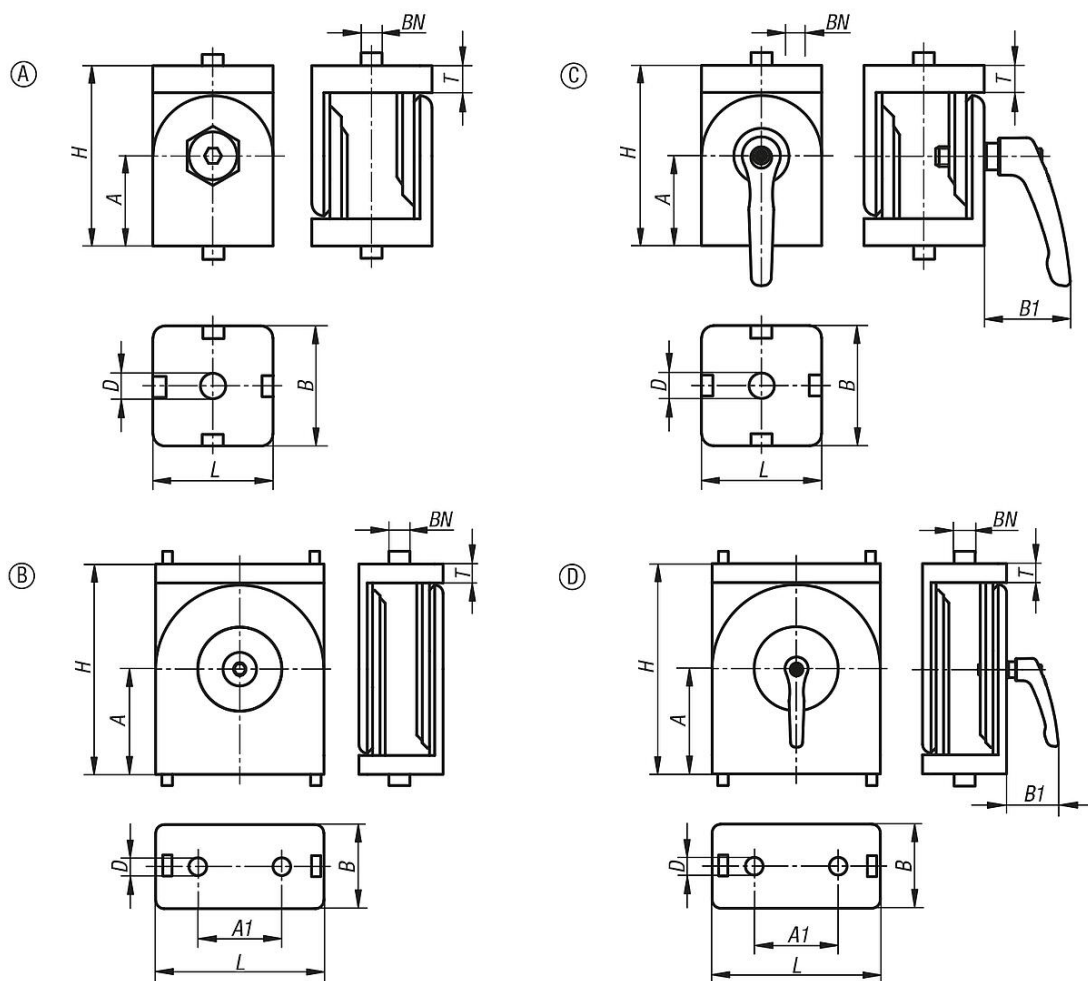
Joint painted aluminium tone.  
 Fasteners electro zinc-plated.  
 Spacer rings bright.  
 Tapped bushes and countersunk screws electro zinc-plated.  
 Handle powder-coated. Steel parts bright stainless steel.

**Note:**

Joints for connecting two profiles at any angle.  
 The adjustment range is 0° to 180°. The joint can also be used as a heavy hinge.

When the spacer rings are inserted, the joint can move freely. When these are removed, the joint can be used as a rigid angle element. The joints are particularly suitable for use as adjustable brackets, swivel arms or similar applications.

Drawings



Overview of items

Joints Type B and Type I

Order No.	Type	BN=Slot width	Form	A	A1	B	B1	D	H	L	T
10270-063030	I	6	A	22,5	-	30	-	6,4	45	30	7
10270-084040	I	8	A	30	-	40	-	8,4	60	40	9
10270-084080	I	8	B	50	40	40	-	8,4	100	80	9
10270-083030	B	8	A	22,5	-	30	-	8,3	45	30	7
10270-104545	B	10	A	30	-	45	-	8,5	60	45	8
10270-104590	B	10	B	50	45	45	-	8,5	100	90	9
10270-1063030	I	6	C	22,5	-	30	31	6,4	45	30	7
10270-1084040	I	8	C	30	-	40	31	8,4	60	40	9
10270-2084080	I	8	D	50	40	40	31	8,4	100	80	9
10270-1104545	B	10	C	30	-	45	42,5	8,5	60	45	8
10270-2104590	B	10	D	50	45	45	42,5	8,5	100	90	9