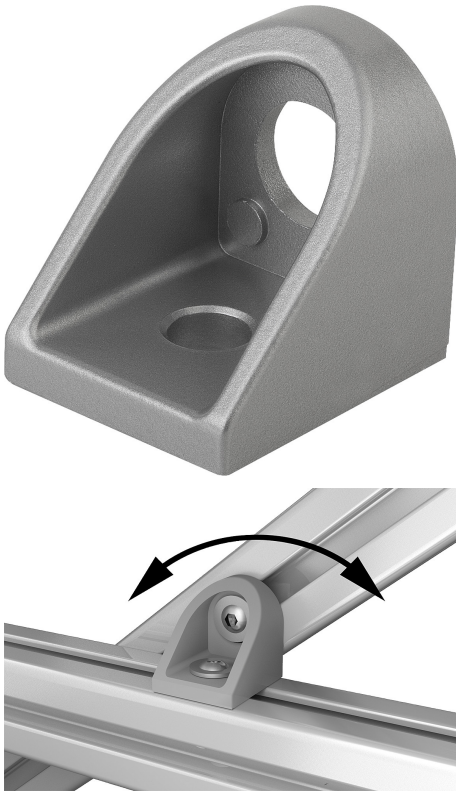


Item description/product images

**Description****Material:**

Joint angle die-cast zinc.
Pivot bush steel.

Version:

Joint angle painted aluminium tone.
Pivot bush galvanized.

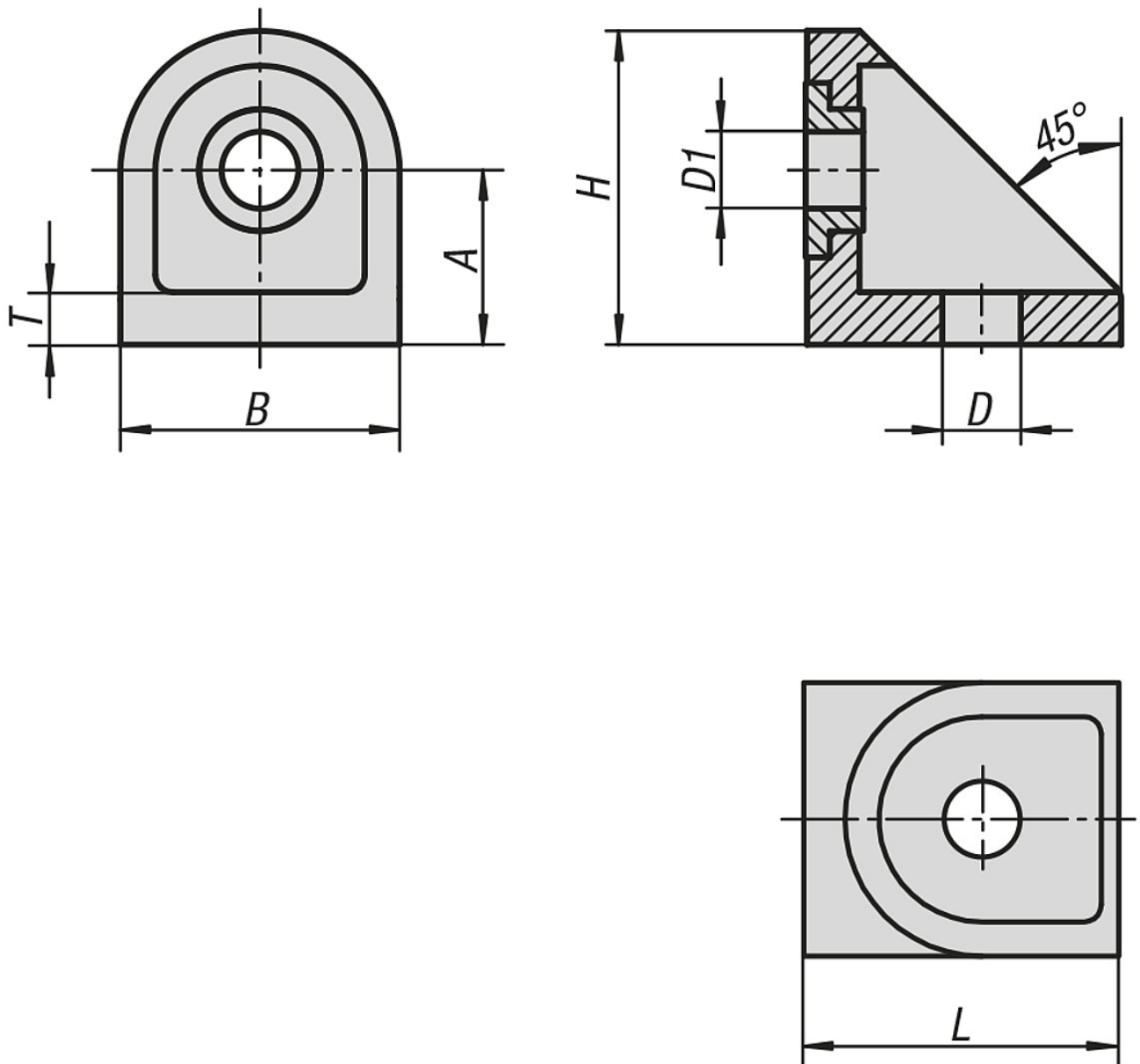
Note:

The joint angles are used for connecting two profiles of the same series that have contact on the side faces and cross at any angle.

The joint angle acts as a fixed pivot point for the crossed profiles. When the screw is tightened the profile can still be freely rotated around the pivot bush.

The joint angles are generally used in combination with a clamping angle.

Drawings



Overview of items

Order No.	Type	Slot width	A	B	D	D1	H	L	T
10266-06	I	6	15	24	7	6,5	27	27	5
10266-08	I	8	20	32	9	8,8	35,2	36	5,5