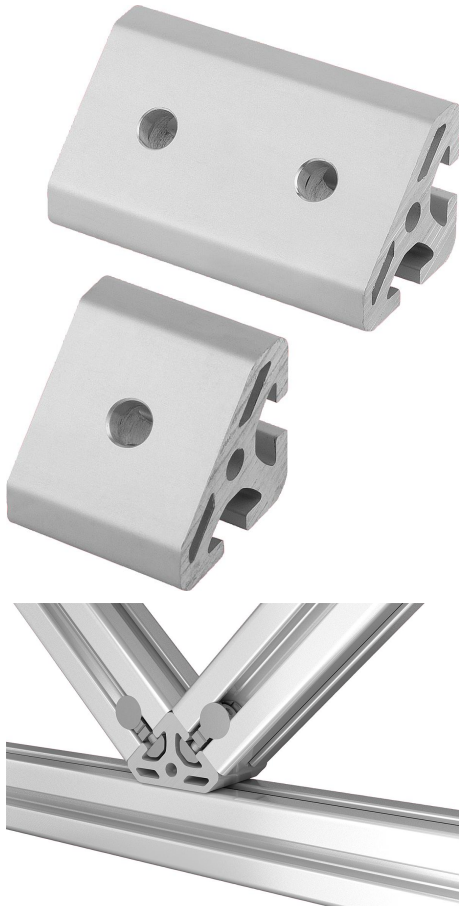


Item description/product images

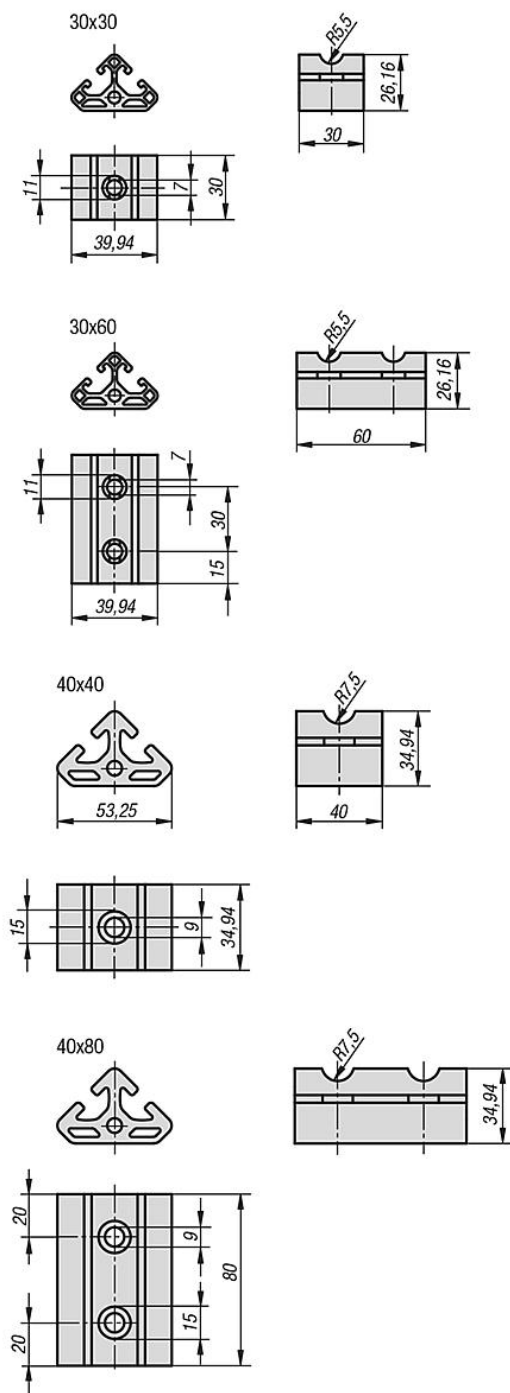
**Description**

Material:
Aluminium.

Version:
anodised.

Note:
Angle element for fastening two profiles at a 45° angle and for making struts or ties. The angle element can be fastened with universal connector sets and ISO 7380 round-head screws.

Drawings



Overview of items

Order No.	Type	Slot width	Version
10261-063030	I	6	30 x 30
10261-063060	I	6	30 x 60
10261-084040	I	8	40 x 40
10261-084080	I	8	40 x 80

