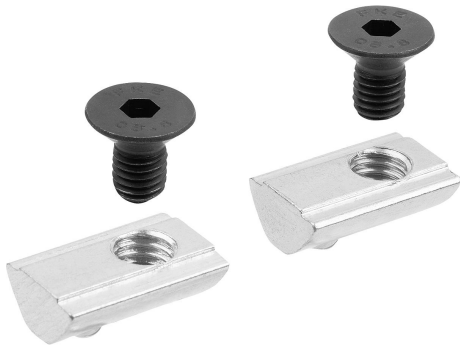


## Item description/product images



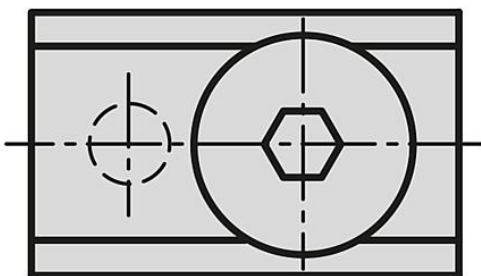
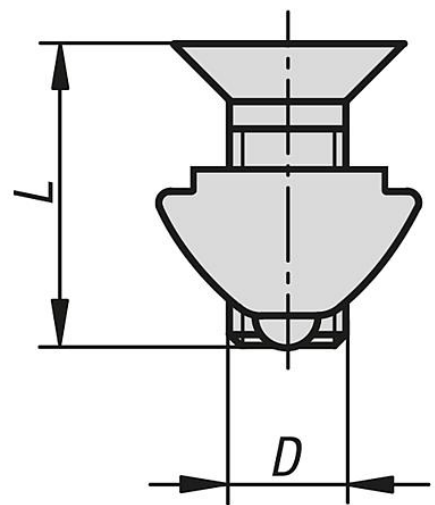
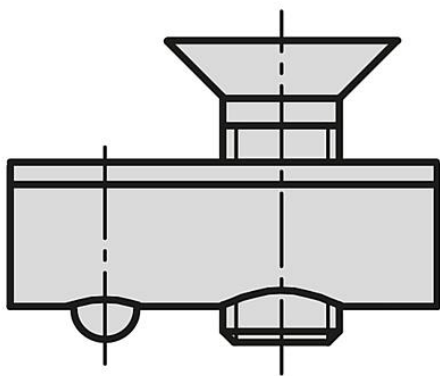
## Description

**Material:**  
Steel.

**Version:**  
Slot key electro zinc-plated.  
Screw electro zinc-plated, black.

**Note:**  
Consists of two DIN 7991 countersunk screws and two slot nuts.

## Drawings



## Overview of items

Order No.	Version 1	Version 2	Slot width	D	L
10244-06	type I	slot key with step	6	M6	10
10244-08	type I	slot key with step	8	M8	14

