

## Item description/product images



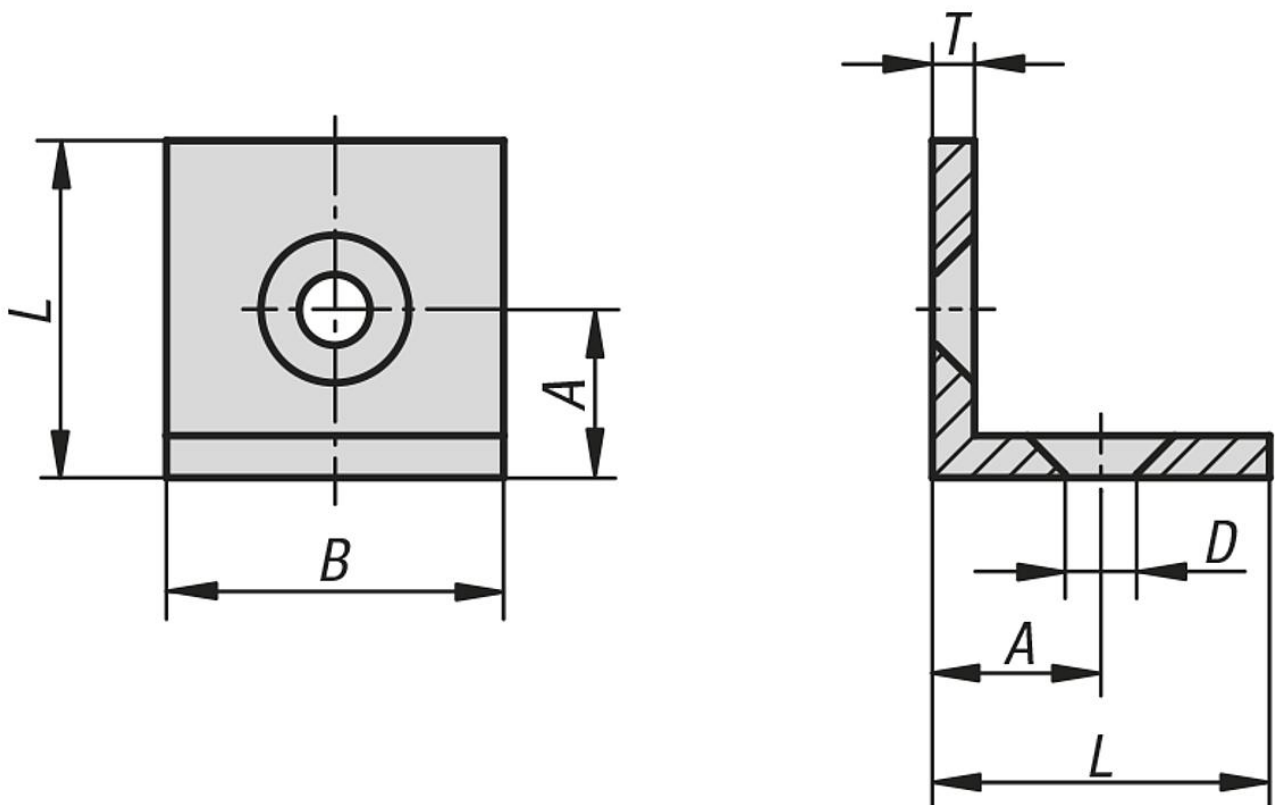
## Description

**Material:**  
Steel.

**Version:**  
black powder-coated.

**Note:**  
Universal fastening element for a rigid connection and linkage of profiles, panel elements or lightweight shelving.

## Drawings



## Overview of items

Order No.	Slot width	Main colour	Surface finish body	Type	A	B	D for screw	L	T
10242-061	6	black	powder-coated	I	15	30	M6	30	3
10242-081	8/10	black	powder-coated	I	20	40	M8	40	5