

## Item description/product images

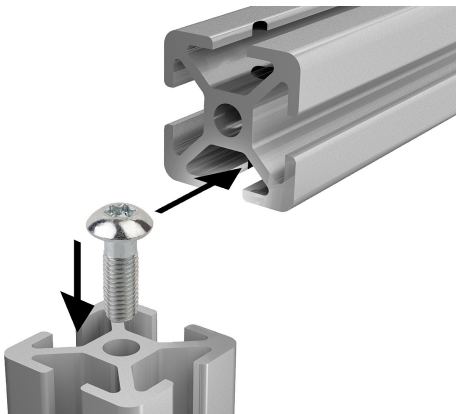


## Description

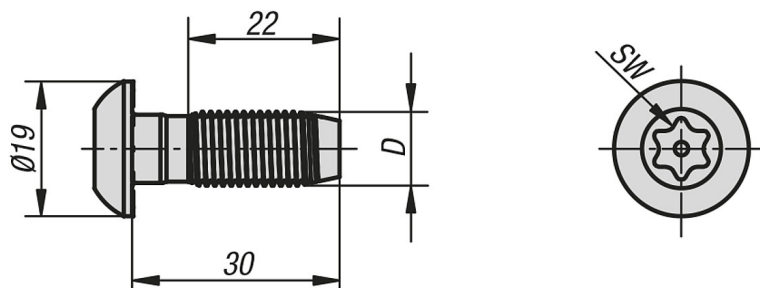
**Material:**  
Steel.

**Version:**  
galvanized.

**Note:**  
Self-tapping screw for end face core hole. Ideal for fastenings without an angle or additional connectors not exposed to high loads.



## Drawings



## Overview of items

Order No.	Type	Slot width	D	SW
10228-1012	B	10	S12	T50

