

## Item description/product images



## Description

**Material:**

Metal parts, steel, grade 5.6.

Elastomer natural rubber, medium hardness, Shore 57A.

**Version:**

Steel electro zinc-plated.

**Note:**

The rubber buffers are widely-used construction elements for elastic mounting. They are used, among other things, as mountings for aggregates, motors, compressors, pumps and testing machinery.

Rubber buffers with a waisted contour reduce high edge loads on the rubber by radial deflection and so increase the components service life.

Due to the material composition, rubber buffers are contact-colouring, which can lead to abrasion marks and discolouration on e.g. floors or contact surfaces.

Rubber buffers made of light grey EPDM that are not contact-colouring are available on request.

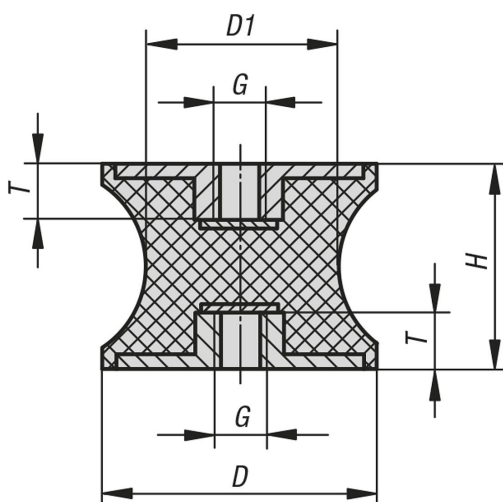
**Temperature range:**

-30 °C to +80 °C

**On request:**

Other Shore grades.

## Drawings



## Overview of items

Order No.	D	D1	H	G	T	Spring stiffness N/mm	Load N
26105-01501557	15	12	15	M4	4	111	122
26105-02001557	20	14	15	M6	6	227	227
26105-03002057	30	22	20	M8	8	252	504
26105-04003057	40	33	30	M8	8	199	796
26105-04004857	40	20	48	M8	8	111	555
26105-05003057	50	40	30	M10	10	499	998
26105-07504057	75	50	40	M12	12	597	2030

Overview of items

---