

## Item description/product images



### Description

**Material:**

Metal parts steel grade 5.6 or stainless steel.  
Elastomer natural rubber, medium hardness, Shore 55A.

**Version:**

Steel electro zinc-plated.  
Stainless steel bright.

**Note:**

The rubber buffers are widely-used construction elements for elastic mounting. They are used, among other things, as mountings for aggregates, motors, compressors, pumps and testing machinery.

Due to the material composition, rubber buffers are contact-colouring, which can lead to abrasion marks and discolouration on e.g. floors or contact surfaces.

Rubber buffers made of light grey EPDM that are not contact-colouring are available on request.

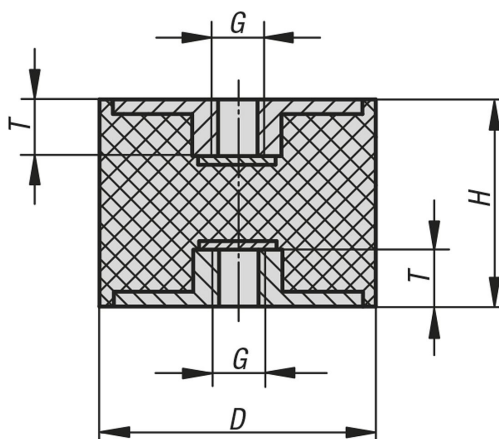
**Temperature range:**

-30 °C to +80 °C

**On request:**

Other Shore grades.

## Drawings



## Overview of items

Order No.	Main material	D	H	G	T	Spring stiffness N/mm	Load N
26104-01001055	steel	10	10	M4	4	100	50
26104-01001555	steel	10	15	M4	4	50	50
26104-01501555	steel	15	15	M4	4	100	100
26104-02002055	steel	20	20	M6	6	230	276
26104-02002555	steel	20	25	M6	6	120	180
26104-02502055	steel	25	20	M6	6	230	276
26104-02502555	steel	25	25	M6	6	110	165
26104-02503055	steel	25	30	M6	6	80	160
26104-03002055	steel	30	20	M8	8	425	637

# 26104 Rubber buffers steel or stainless steel, type C cylindrical with internal thread both sides



## Overview of items

Order No.	Main material	D	H	G	T	Spring stiffness N/mm	Load N
26104-03003055	steel	30	30	M8	8	175	350
26104-03004055	steel	30	40	M8	8	133	400
26104-04003055	steel	40	30	M8	8	530	1060
26104-04004055	steel	40	40	M8	8	222	666
26104-05003055	steel	50	30	M10	10	680	1360
26104-05004055	steel	50	40	M10	10	333	1000
26104-05005055	steel	50	50	M10	10	190	665
26104-07504055	steel	75	40	M12	12	750	2250
26104-07505055	steel	75	50	M12	12	636	2225
26104-010010551	stainless steel	10	10	M4	4	100	50
26104-015015551	stainless steel	15	15	M4	4	100	100
26104-020020551	stainless steel	20	20	M6	6	230	276
26104-025025551	stainless steel	25	25	M6	6	110	165
26104-030020551	stainless steel	30	20	M8	8	425	637
26104-030030551	stainless steel	30	30	M8	8	175	350
26104-040030551	stainless steel	40	30	M8	8	530	1060