

Item description/product images

**Description****Material:**

Housing steel.

Version:

Housing black oxidised.

Note:

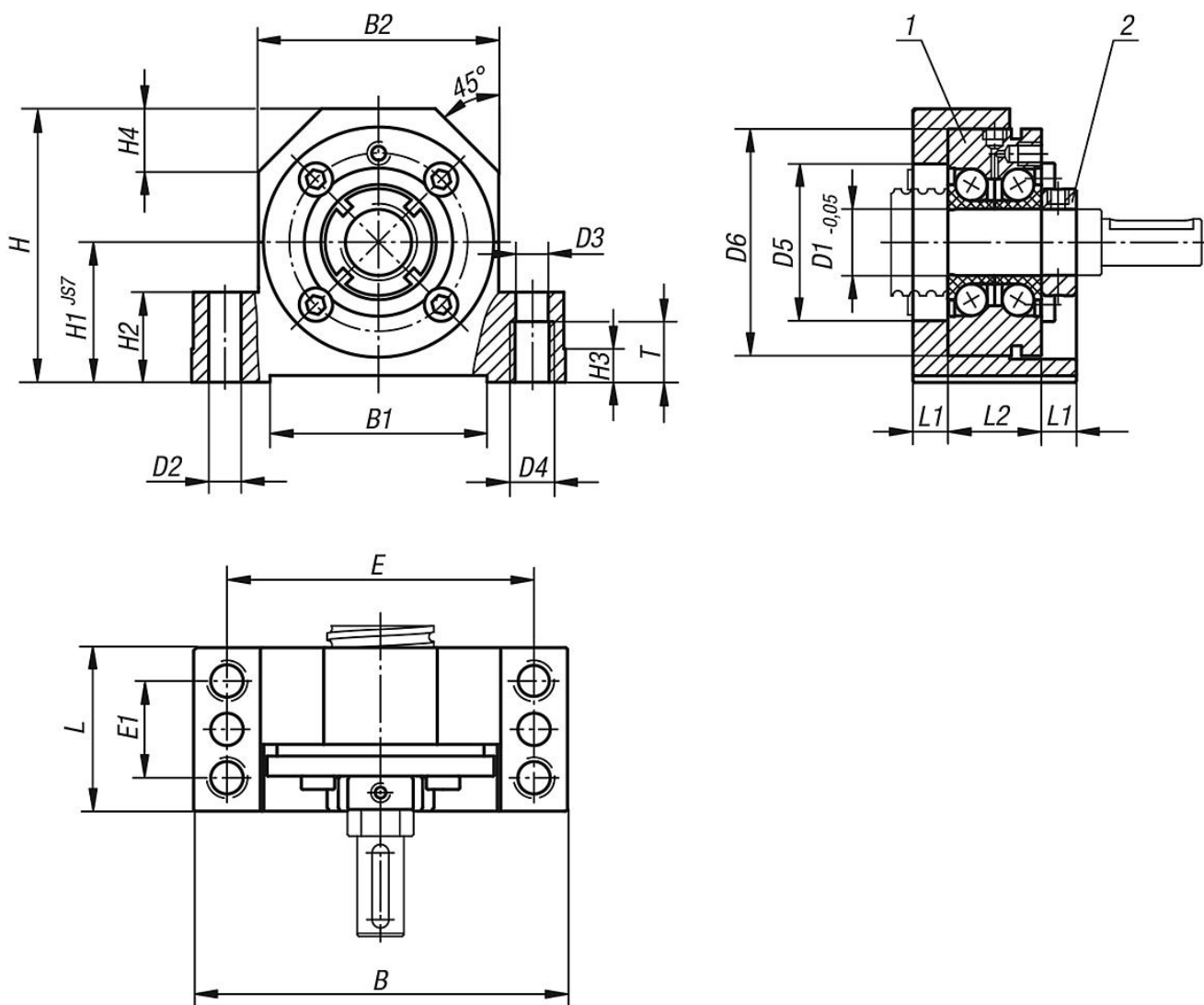
The axis height of the spindle bearings is matched to the floating bearing units 24074 and the housings for flange nuts 24070. The housings may be screwed on from above or below and pinned with two taper pins or cylindrical pins. Reference faces on both sides ease unit alignment.

Ready to install fixed bearing units with double row preloaded high-accuracy bearings and a 60° thrust angle. They accept both radial and axial forces from both directions and, due to preloading provide for highest rigidity, concentricity, precise tool positioning and repeatability.

Drawing reference:

- 1) angular-contact thrust ball bearing
- 2) M slotted nut

Drawings



Overview of items

Order No.	Suitable for spindle \varnothing	B	B1	B2	D1	D2	D3	D4	D5	D6	E	E1	H	H1	H2	H3	H4	L	L1	L2	M	T
24072-010	16	86	50	52	10	7,7	8,4	M10	32	50	68	23	58	32	22	7	15	37	8,5	20	M10x1	15
24072-012	20	94	58	60	12	7,7	8,4	M10	32	55	77	25	64	34	22	7	17	42	8,5	25	M12x1	15
24072-015	20	108	63	66	15	9,7	10,5	M12	32	60	88	29	72	39	27	10	19	46	10,5	25	M15x1	18
24072-017	25	108	63	66	17	9,7	10,5	M12	36	62	88	29	72	39	27	10	19	46	10,5	25	M17x1	18
24072-020	32	112	70	72	20	9,7	10,5	M12	43	68	92	29	78	42	27	10	20	49	10,5	28	M20x1	18

Order No.	Dynamic load rating N	Static load rating N	Stiffness K (N/ μ m)
24072-010	13400	18800	325
24072-012	16900	24700	375
24072-015	17900	28000	400
24072-017	18800	31000	450
24072-020	26000	47000	650

