

Item description/product images



Description

Material:

High-performance polymer iglidur® G, iglidur® J or iglidur® X.

Version:

iglidur® G grey;
 iglidur® J yellow;
 iglidur® X black

Note:

Plastic high-performance polymer plain bearings.

- maintenance-free
- lubricant-free
- corrosion-resistant
- resistant to dirt
- high dimensional precision
- high pressure resistance
- good heat dissipation
- very low creep tendencies
- high mechanical damping
- resistant to UV radiation.

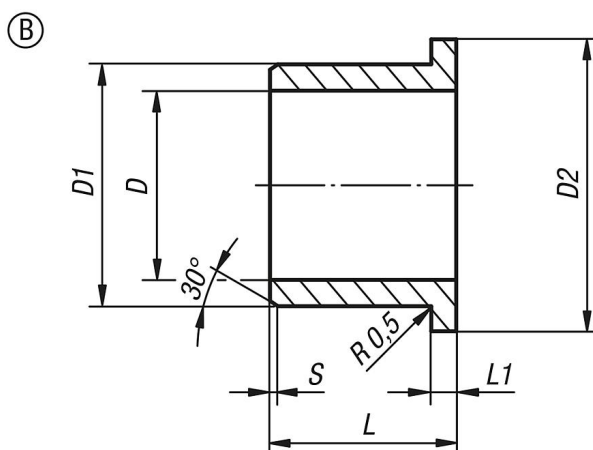
Assembly:

The bearings are designed for press fits in H7 bores. After pressing in, the ID of the bearing will be diameter D with the relative tolerance.

The bearings are suitable for shafts with h tolerance (recommended min. h9).

Material	Note	longest endurance times in dry run	for high loads	for high temperatures	low friction/ high speed	dirt-resistant	chemical-resistant	low water absorption	good for edge pressing	possible under water	good electrically	electrically conductive
iglidur® G	the all-rounder	•	•			•					•	
iglidur® J	low coefficients of friction				•			•	•		•	
iglidur® X	temperature and chemical resistant	•	•	•			•	•		•		•

Drawings



Overview of items

Order No.	Form	Version 2	D	D1	D2	L	L1	S	Tolerance D after force fitting	Max. permissible static surface pressure N/mm ²	Temperature range
23710-12050705	B	IGLIDUR® G	5	7	11	5	1	0,3	E10	80	-40 °C to +130 °C

Overview of items

Order No.	Form	Version 2	D	D1	D2	L	L1	S	Tolerance D after force fitting	Max. permissible static surface pressure N/mm ²	Temperature range
23710-12060808	B	IGLIDUR® G	6	8	12	8	1	0,5	E10	80	-40 °C to +130 °C
23710-12081007	B	IGLIDUR® G	8	10	15	7,5	1	0,5	E10	80	-40 °C to +130 °C
23710-12101209	B	IGLIDUR® G	10	12	18	9	1	0,5	E10	80	-40 °C to +130 °C
23710-12121412	B	IGLIDUR® G	12	14	20	12	1	0,8	E10	80	-40 °C to +130 °C
23710-12141612	B	IGLIDUR® G	14	16	22	12	1	0,8	E10	80	-40 °C to +130 °C
23710-12151712	B	IGLIDUR® G	15	17	23	12	1	0,8	E10	80	-40 °C to +130 °C
23710-12161817	B	IGLIDUR® G	16	18	24	17	1	0,8	E10	80	-40 °C to +130 °C
23710-12202321	B	IGLIDUR® G	20	23	30	21	1,5	0,8	E10	80	-40 °C to +130 °C
23710-12252821	B	IGLIDUR® G	25	28	35	21	1,5	0,8	E10	80	-40 °C to +130 °C
23710-12303426	B	IGLIDUR® G	30	34	42	26	2	0,8	E10	80	-40 °C to +130 °C
23710-22050705	B	IGLIDUR® J	5	7	11	5	1	0,3	E10	35	-50 °C to +90 °C
23710-22060808	B	IGLIDUR® J	6	8	12	8	1	0,5	E10	35	-50 °C to +90 °C
23710-22081007	B	IGLIDUR® J	8	10	15	7	1	0,5	E10	35	-50 °C to +90 °C
23710-22101209	B	IGLIDUR® J	10	12	18	9	1	0,5	E10	35	-50 °C to +90 °C
23710-22121412	B	IGLIDUR® J	12	14	20	12	1	0,8	E10	35	-50 °C to +90 °C
23710-22141612	B	IGLIDUR® J	14	16	22	12	1	0,8	E10	35	-50 °C to +90 °C
23710-22151712	B	IGLIDUR® J	15	17	23	12	1	0,8	E10	35	-50 °C to +90 °C
23710-22161817	B	IGLIDUR® J	16	18	24	17	1	0,8	E10	35	-50 °C to +90 °C
23710-22202321	B	IGLIDUR® J	20	23	30	21	1,5	0,8	E10	35	-50 °C to +90 °C
23710-22252821	B	IGLIDUR® J	25	28	35	21	1,5	0,8	E10	35	-50 °C to +90 °C
23710-22303426	B	IGLIDUR® J	30	34	42	26	2	0,8	E10	35	-50 °C to +90 °C
23710-32050705	B	IGLIDUR® X	5	7	11	5	1	0,3	F10	150	-100 °C to +250 °C
23710-32060808	B	IGLIDUR® X	6	8	12	8	1	0,5	F10	150	-100 °C to +250 °C
23710-32081007	B	IGLIDUR® X	8	10	15	7,5	1	0,5	F10	150	-100 °C to +250 °C
23710-32101209	B	IGLIDUR® X	10	12	18	9	1	0,5	F10	150	-100 °C to +250 °C
23710-32121412	B	IGLIDUR® X	12	14	20	12	1	0,8	F10	150	-100 °C to +250 °C
23710-32141612	B	IGLIDUR® X	14	16	22	12	1	0,8	F10	150	-100 °C to +250 °C
23710-32151712	B	IGLIDUR® X	15	17	23	12	1	0,8	F10	150	-100 °C to +250 °C
23710-32161817	B	IGLIDUR® X	16	18	24	17	1	0,8	F10	150	-100 °C to +250 °C
23710-32202321	B	IGLIDUR® X	20	23	30	21	1,5	0,8	F10	150	-100 °C to +250 °C
23710-32252821	B	IGLIDUR® X	25	28	35	21	1,5	0,8	F10	150	-100 °C to +250 °C
23710-32303426	B	IGLIDUR® X	30	34	42	26	2	0,8	F10	150	-100 °C to +250 °C