

Item description/product images



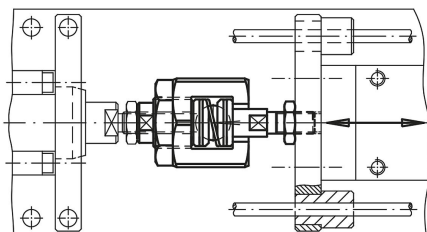
Description

Version:

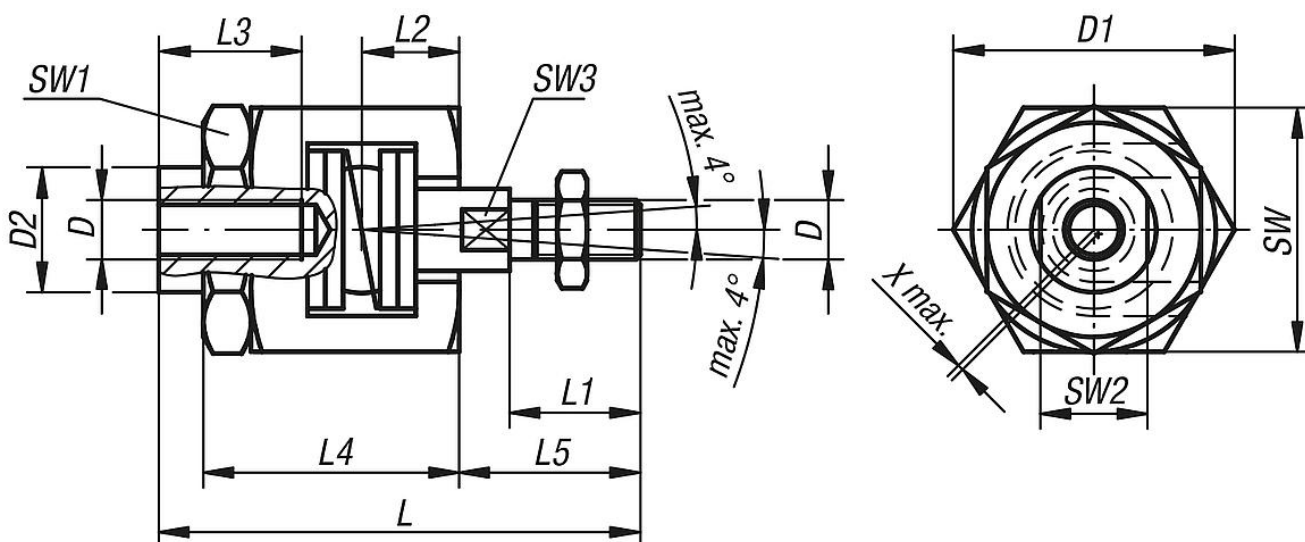
Coupling part nitrided, black.
Claw and seat tempered and phosphated.
Nut phosphated.
Locknut black.

Note:

Quick-fit coupling, adjustable without axial play, including angular and radial offset compensation. Suitable for multiple applications, e.g. for non-aligned linear-movements. Solid and compact design, no loose elements. Assembly and disassembly with a T-slot; a manual re-adjustment is not necessary. The quick-fit coupling can be linked to all commonly used pneumatic and hydraulic lifting cylinders via the connecting thread. The quick-fit coupling does not transmit any torque.



Drawings



Overview of items

Order No.	D	D1	D2	L	L1	L2	L3 min.	L4	L5	SW	SW1	SW2	SW3	radial offset compensation X max.	Max. permissible tensile and compressive stress kN
23454-06	M6	24,5	9,6	52	14	9,5	13	29	18,5	22	19	8	5	0,6	2,5
23454-08	M8	30	15	63	18	11,5	16	33	23,5	27	24	13	7	0,6	4,5
23454-10	M10	44	21	81	22	16	24	43	30,5	41	36	18	12	0,7	6,5
23454-101	M10x1,25	44	21	81	22	16	24	43	30,5	41	36	18	12	0,7	6,5
23454-12	M12	44	21	85	26	16	24	43	34,5	41	36	18	12	0,7	10
23454-121	M12x1,25	44	21	85	26	16	24	43	34,5	41	36	18	12	0,7	10
23454-16	M16	60	32	121	34	26	34	62	45	55	46	27	18	1	18
23454-161	M16x1,5	60	32	121	34	26	34	62	45	55	46	27	18	1	18
23454-20	M20	60	32	129	42	26	34	62	53	55	46	27	18	1	30
23454-201	M20x1,5	60	32	129	42	26	34	62	53	55	46	27	18	1	30

