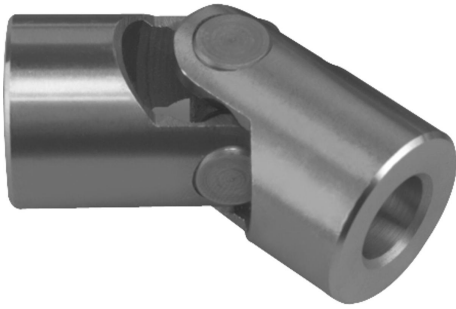


Item description/product images



Description

Material:

Steel.

Version:

Joint ground, bright.

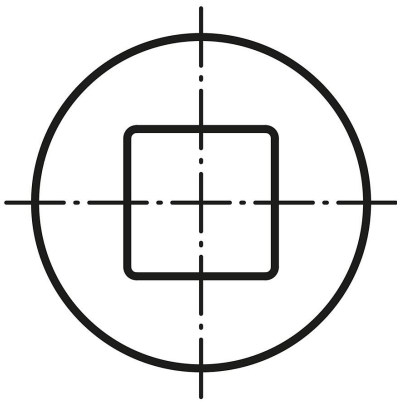
Note:

Single universal joints with needle bearings are used for speeds of 1000 to 4000 rpm. They have minimal play and are maintenance-free.

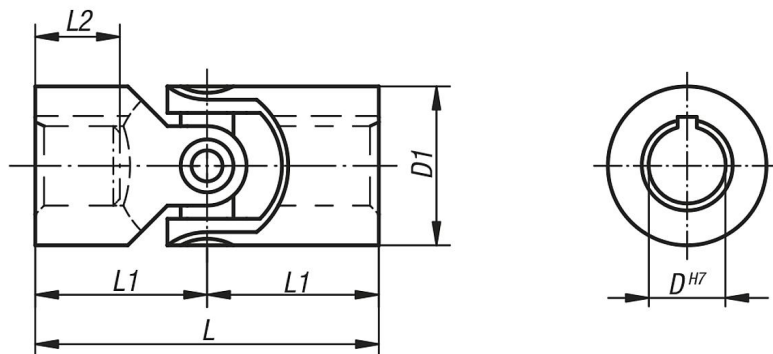
Max. transferable torque (Nm) at 150 rpm, operation angle $\alpha < 5^\circ$.

* Bore depth is less than by DIN 808.

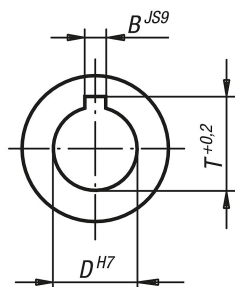
On request:



Drawings



DIN 6885-1



Overview of items

Order No.	Product type	D	D1	L	L1	L2	B	T	Max. torque Nm	static fracture torque Nm
23406-10048	reamed hole without slot	10	20	48	24	12*	3	11,4	10	80
23406-12056	reamed hole without slot	12	25	56	28	14*	4	13,8	16	120
23406-16068	reamed hole without slot	16	32	68	34	16*	5	18,3	35	250
23406-20082	reamed hole without slot	20	42	82	41	20*	6	22,8	80	500
23406-25104	reamed hole without slot	25	50	104	52	25*	8	28,3	130	800
23406-30166	reamed hole without slot	30	58	122	61	29	8	33,3	240	1500
23406-35140	reamed hole without slot	35	70	140	70	35*	10	38,3	360	2200
23406-110048	reamed hole with slot	10	20	48	24	12*	3	11,4	10	80
23406-112056	reamed hole with slot	12	25	56	28	14*	4	13,8	16	120
23406-116068	reamed hole with slot	16	32	68	34	16*	5	18,3	35	250
23406-120082	reamed hole with slot	20	42	82	41	20*	6	22,8	80	500
23406-125104	reamed hole with slot	25	50	104	52	25*	8	28,3	130	800
23406-130166	reamed hole with slot	30	58	122	61	29	8	33,3	240	1500
23406-135140	reamed hole with slot	35	70	140	70	35*	10	38,3	360	2200