

Item description/product images



Description

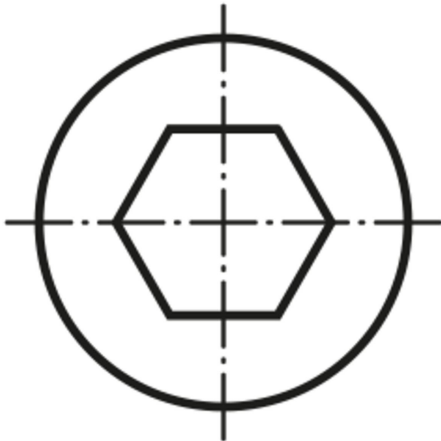
Material:
Steel.

Version:
Joint and bearing hardened

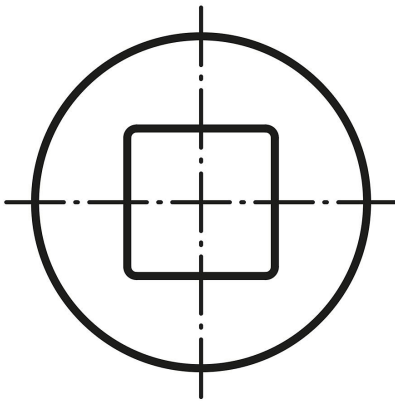
Note:
Universal joints with plain bearing can be swivelled by 45°.

Max. transferable torque (Nm) at 150 rpm, operation angle $\alpha < 5^\circ$.

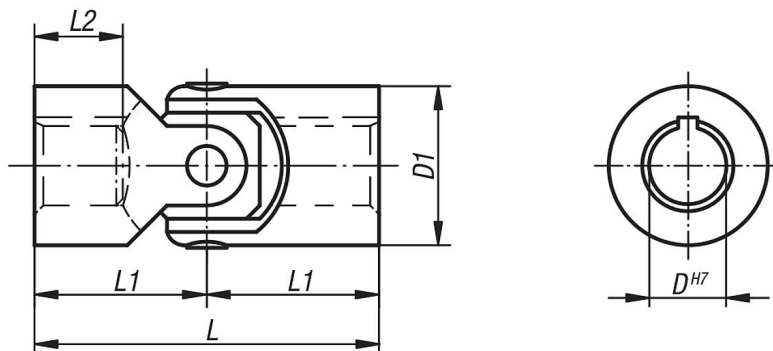
* Bore depth is less than by DIN 808.



On request:

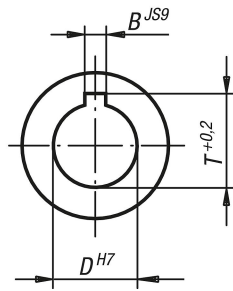


Drawings



Drawings

DIN 6885-1



Overview of items

Order No. reamed hole without slot	Order No. reamed hole with slot	D	D1	L	L1	L2	B	T	Max. torque Nm	static fracture torque Nm
23403-06034	-	6	16	34	17	9*	2	7	7	40
23403-08040	23403-108040	8	16	40	20	11*	2	9	7	40
23403-10048	23403-110048	10	20	48	24	12*	3	11,4	16	90
23403-12056	23403-112056	12	25	56	28	14*	4	13,8	26	150
23403-16068	23403-116068	16	32	68	34	16*	5	18,3	52	300
23403-20082	-	20	40	82	41	20*	6	22,8	100	650
23403-25104	23403-125104	25	50	104	52	25*	8	28,3	210	1200
-	23403-120082	20	42	82	41	20*	6	22,8	100	650