

Item description/product images

**Description****Material:**

Stainless steel 1.4301.

Version:

Bright.

Note:

Self-centring and play-free shaft/hub clamping sets with a very low moment of inertia and minimal space requirement. The clamping sets produce a friction connection between shaft and hub. Central nut for quick mounting. After the nut is loosened, the set can be removed with a puller tool.

Clamping set concentricity ± 0.01 mm.

Assembly:

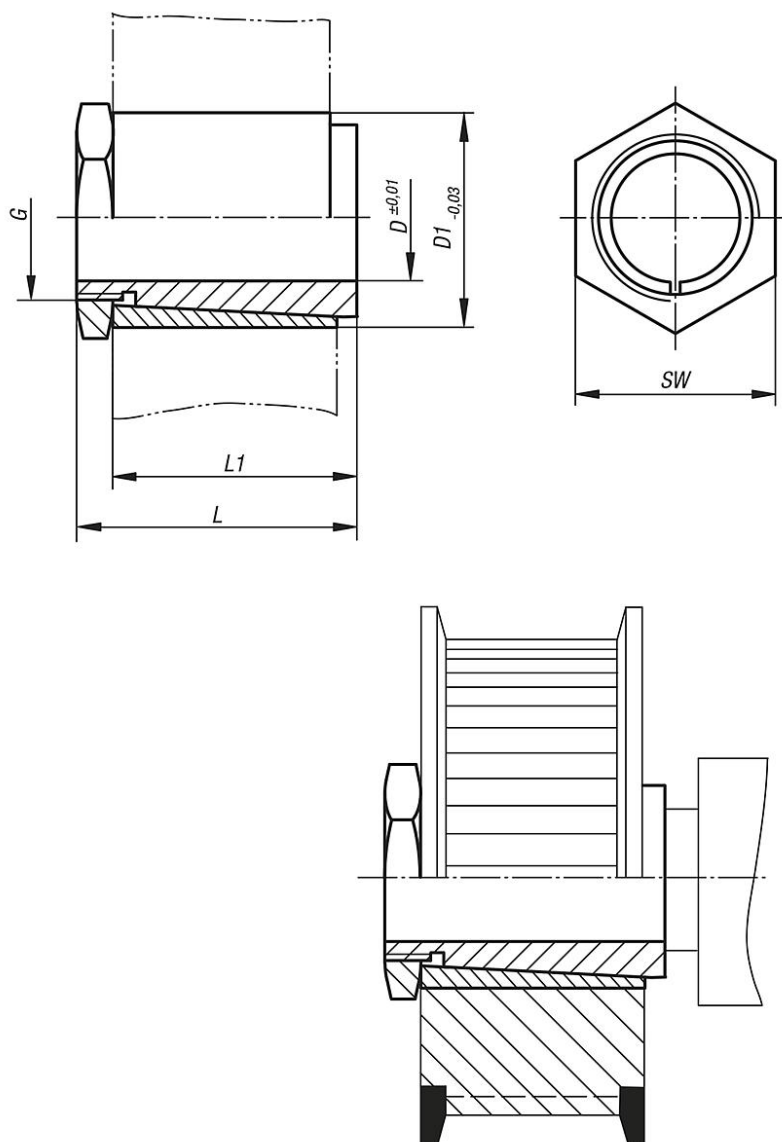
To achieve the specified torque, the clamping set must be installed grease-free. The entire length of the clamping set must be in contact with the shaft. For maximum torque the shaft and hub must be sufficiently firm (min. yield strength 350 N/mm^2).

Required tolerances:

Shaft: h7

Hub: H7

Drawings



Overview of items

| Order No. | D | D1 | L | L1 | G | SW | Tightening torque max. Nm | Transmissible torque T Nm |
|--------------|------|----|----|------|--------|----|---------------------------|---------------------------|
| 23370-040008 | 4 | 8 | 15 | 12,5 | M6x0,5 | 8 | 4 | 3 |
| 23370-050010 | 5 | 10 | 15 | 12,5 | M8x0,5 | 10 | 5 | 4 |
| 23370-060010 | 6 | 10 | 15 | 12,5 | M8x0,5 | 10 | 8 | 7 |
| 23370-063510 | 6,35 | 10 | 15 | 12,5 | M8x0,5 | 10 | 8 | 7 |
| 23370-080014 | 8 | 14 | 22 | 19 | M12x1 | 17 | 15 | 14 |
| 23370-090014 | 9 | 14 | 22 | 19 | M12x1 | 17 | 15 | 14 |
| 23370-100017 | 10 | 17 | 22 | 18,5 | M15x1 | 19 | 19 | 18 |
| 23370-120017 | 12 | 17 | 22 | 18,5 | M15x1 | 19 | 19 | 18 |
| 23370-140020 | 14 | 20 | 28 | 23 | M17x1 | 22 | 25 | 24 |
| 23370-150020 | 15 | 20 | 28 | 23 | M17x1 | 22 | 25 | 24 |
| 23370-160023 | 16 | 23 | 28 | 23 | M20x1 | 27 | 27 | 26 |
| 23370-190025 | 19 | 25 | 28 | 23 | M22x1 | 27 | 30 | 29 |
| 23370-200028 | 20 | 28 | 28 | 23 | M25x1 | 30 | 32 | 31 |

