

Item description/product images

**Description****Material:**

Rail and race ball-bearing steel.

Balls, ball-bearing steel.

Ball cage steel.

Version:

Rail, runner and ball cage electro zinc-plated.

Race inductively hardened.

Balls hardened.

Note for ordering:

Sold individually.

Note:

Linear ball bearing consisting of a guide rail and a race which runs within the ball cage in the guide rail. Mounting should be carried out horizontally if possible.

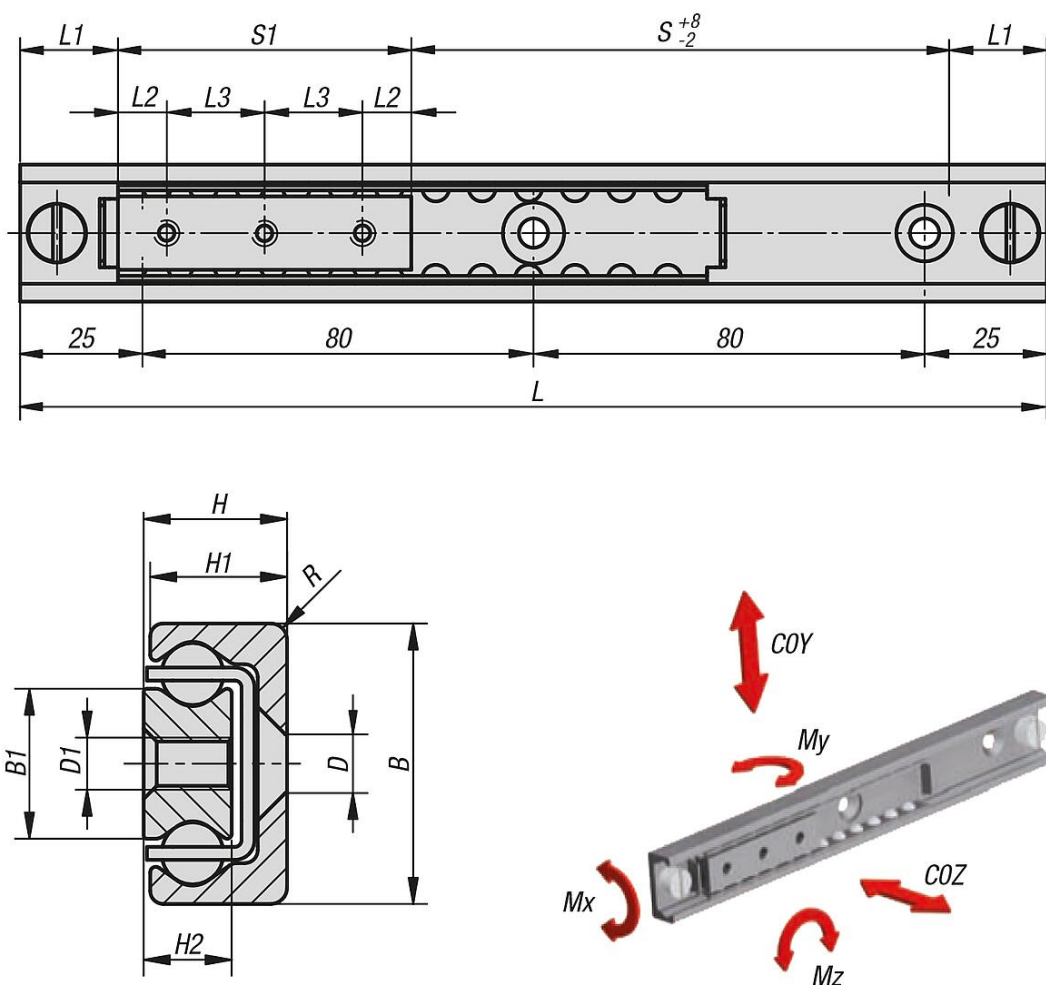
The internal stops limit the cage. Provide external stops for a loaded system.

Use grade 10.9 DIN EN ISO 10642 countersunk head screws to install the rail.

The maximum traversing speed is 0.8 m/s.

Application temperature -30 °C to +170 °C.

Drawings



Overview of items

Order No.	Size	B	B1	Travel S	D for screw	D1	H	H1	H2	L	L1	L2	L3	R	S1=Slide	COY N	COZ N	Mx Nm	My Nm	Mz Nm	No. of holes
21330-280600130	28	28	15	30	M5	M5	13	12,25	7,5	130	20	10	20	1	60	3480	2436	17,1	24	35	3
21330-280600210	28	28	15	110	M5	M5	13	12,25	7,5	210	20	10	20	1	60	3480	2436	17,1	24	35	3
21330-280600290	28	28	15	190	M5	M5	13	12,25	7,5	290	20	10	20	1	60	3480	2436	17,1	24	35	3
21330-280600370	28	28	15	270	M5	M5	13	12,25	7,5	370	20	10	20	1	60	3480	2436	17,1	24	35	3
21330-280800290	28	28	15	170	M5	M5	13	12,25	7,5	290	20	10	20	1	80	4640	3248	22,7	43	62	4
21330-280800370	28	28	15	250	M5	M5	13	12,25	7,5	370	20	10	20	1	80	4640	3248	22,7	43	62	4
21330-280800450	28	28	15	330	M5	M5	13	12,25	7,5	450	20	10	20	1	80	4640	3248	22,7	43	62	4
21330-280800610	28	28	15	490	M5	M5	13	12,25	7,5	610	20	10	20	1	80	4640	3248	22,7	43	62	4
21330-281300290	28	28	15	120	M5	M5	13	12,25	7,5	290	20	25	80	1	130	7540	5278	36,9	114	163	2
21330-281300370	28	28	15	200	M5	M5	13	12,25	7,5	370	20	25	80	1	130	7540	5278	36,9	114	163	2
21330-281300450	28	28	15	280	M5	M5	13	12,25	7,5	450	20	25	80	1	130	7540	5278	36,9	114	163	2
21330-281300610	28	28	15	440	M5	M5	13	12,25	7,5	610	20	25	80	1	130	7540	5278	36,9	114	163	2
21330-281300690	28	28	15	520	M5	M5	13	12,25	7,5	690	20	25	80	1	130	7540	5278	36,9	114	163	2
21330-282100450	28	28	15	200	M5	M5	13	12,25	7,5	450	20	25	80	1	210	12180	8526	59,7	298	426	3
21330-282100610	28	28	15	360	M5	M5	13	12,25	7,5	610	20	25	80	1	210	12180	8526	59,7	298	426	3
21330-282101010	28	28	15	760	M5	M5	13	12,25	7,5	1010	20	25	80	1	210	12180	8526	59,7	298	426	3
21330-351300290	35	35	15,8	110	M6	M6	17	16	10	290	25	25	80	2	130	9750	6825	47,2	148	211	2
21330-351300450	35	35	15,8	270	M6	M6	17	16	10	450	25	25	80	2	130	9750	6825	47,2	148	211	2
21330-351300770	35	35	15,8	590	M6	M6	17	16	10	770	25	25	80	2	130	9750	6825	47,2	148	211	2
21330-352100450	35	35	15,8	190	M6	M6	17	16	10	450	25	25	80	2	210	15750	11025	76,3	386	551	3
21330-352100690	35	35	15,8	430	M6	M6	17	16	10	690	25	25	80	2	210	15750	11025	76,3	386	551	3
21330-352101010	35	35	15,8	750	M6	M6	17	16	10	1010	25	25	80	2	210	15750	11025	76,3	386	551	3
21330-352900610	35	35	15,8	270	M6	M6	17	16	10	610	25	25	80	2	290	21750	15225	105,3	736	1051	4
21330-352900930	35	35	15,8	590	M6	M6	17	16	10	930	25	25	80	2	290	21750	15225	105,3	736	1051	4

Overview of items

Order No.	Size	B	B1	Travel S	D for screw	D1	H	H1	H2	L	L1	L2	L3	R	S1=Slide	COY N	COZ N	Mx Nm	My Nm	Mz Nm	No. of holes
21330-352901330	35	35	15,8	990	M6	M6	17	16	10	1330	25	25	80	2	290	21750	15225	105,3	736	1051	4
21330-432100450	43	43	23	190	M8	M8	22	21	13,5	450	25	25	80	2,5	210	22470	15729	155,1	551	786	3
21330-432100690	43	43	23	430	M8	M8	22	21	13,5	690	25	25	80	2,5	210	22470	15729	155,1	551	786	3
21330-432101010	43	43	23	750	M8	M8	22	21	13,5	1010	25	25	80	2,5	210	22470	15729	155,1	551	786	3
21330-433700770	43	43	23	350	M8	M8	22	21	13,5	770	25	25	80	2,5	370	39590	27713	273,2	1709	2441	5
21330-433701010	43	43	23	590	M8	M8	22	21	13,5	1010	25	25	80	2,5	370	39590	27713	273,2	1709	2441	5
21330-433701490	43	43	23	1070	M8	M8	22	21	13,5	1490	25	25	80	2,5	370	39590	27713	273,2	1709	2441	5