

Item description/product images



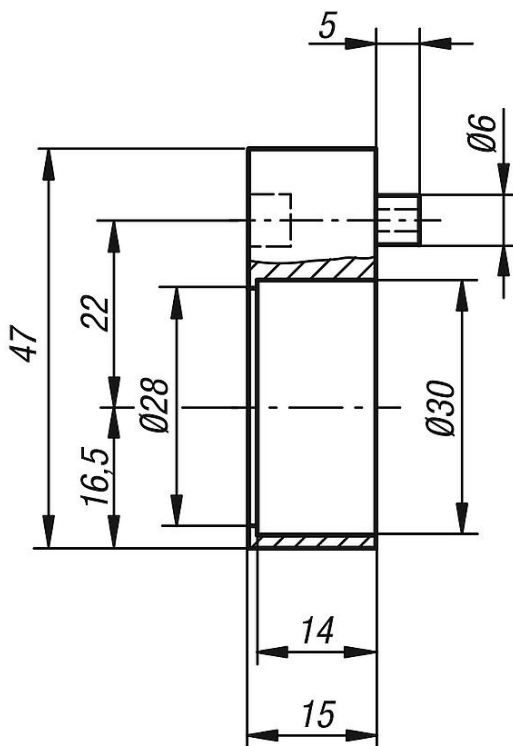
Description

Material:
Plastic

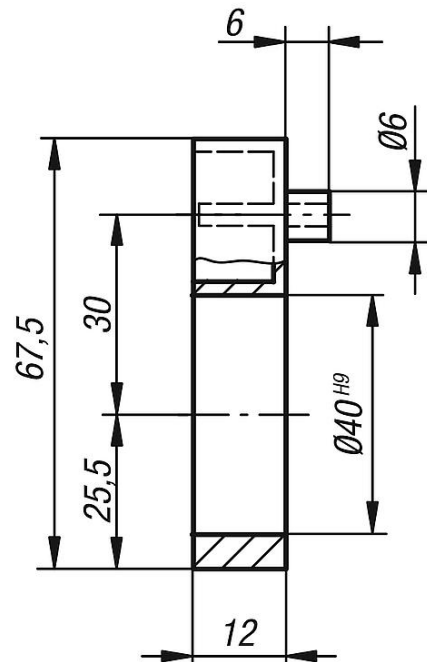
Note:
Intermediate plates are used for mounting shaft collars and radial shaft seals.

Drawings

21942-041



21942-091



Overview of items

Order No.	Suitable for position indicator
21942-041	21902, 21923
21942-091	21904, 21922

