

Item description/product images

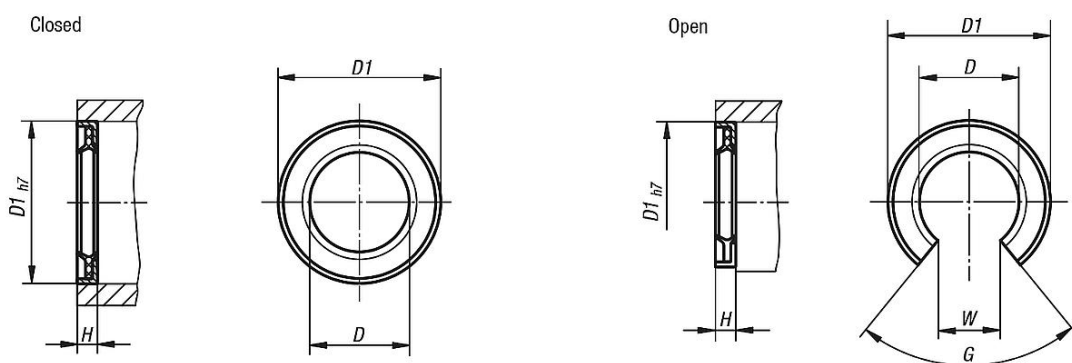


Description

Material:
 Ring steel.
 Rubber NBR.

Note:
 In addition to the standard seals for linear ball bearings, these end seals are also available. The end seals give much better protection from dirt and dust. The seals are inserted into the housing bores (tolerance H7) in front of the bearings and secured with glue.

Drawings



Overview of items

Order No. closed	Order No. open	D	D1	H	G	W
21560-120	21560-121	12	22	3	-/78°	-/7,5
21560-160	21560-161	16	26	3	-/78°	-/10
21560-200	21560-201	20	32	4	-/60°	-/10
21560-250	21560-251	25	40	4	-/60°	-/12,5
21560-300	21560-301	30	47	5	-/50°	-/12,5
21560-400	21560-401	40	62	5	-/56°	-/18,7