

## Item description/product images

**Description****Material:**

Housing plastic  
Raceways ball bearing steel.  
Balls steel.

**Note:**

The linear ball bearings correspond to series 3 of ISO 10285. With double-lip seal both ends. In comparison to standard linear ball bearings, these bearing have twice the load rating or eight times longer working life. The self-aligning function means that housing bore misalignments or bent shafts can be compensated for, the load distribution optimised and uniform load on all balls over the entire bearing length assured. The bearing is secured with DIN 471/472 circlips.

Recommended tolerances:

Shaft: h6

Housing: H7

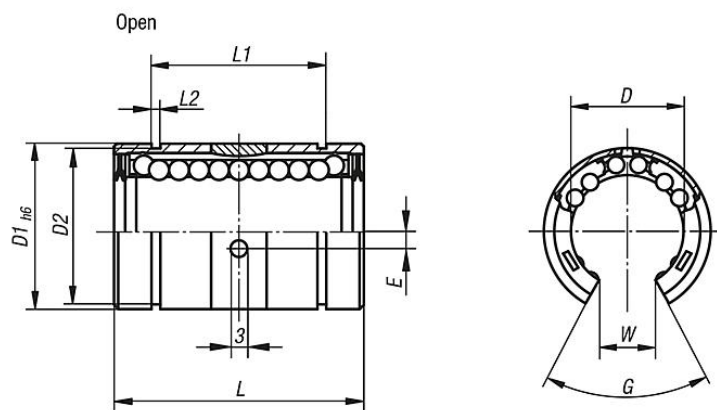
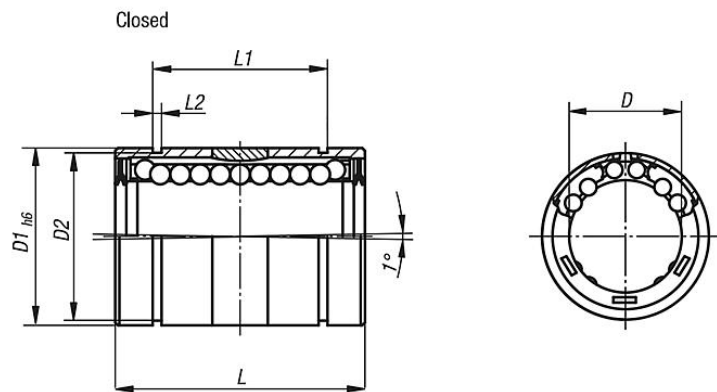
Linear ball bearings with double-sided seal should be greased before installation.

The specified load ratings apply with the use of hardened and ground shafts.

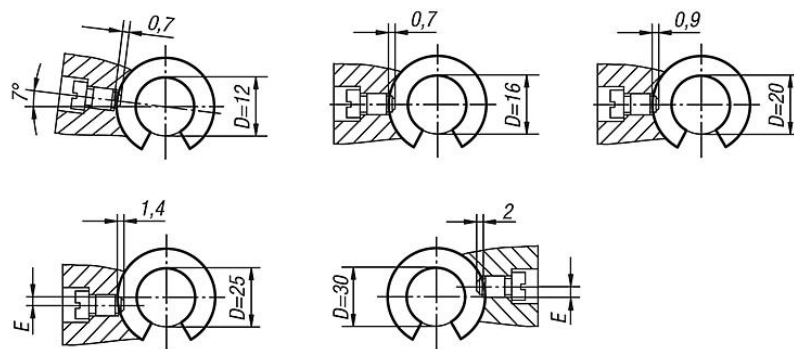
**Temperature range:**

-20 °C to +80 °C.

Drawings



Position of radial and axial fastener



Overview of items

Order No. closed	Order No. open	D	D1	D2	E	G	L	L1	L2	W	Dynamic load rating N	Static load rating N
21515-1602	21515-1612	16	26	24,9	-/0	-/70°	36	24,6	1,3	-/9,4	2200	2400
21515-2002	21515-2012	20	32	30,3	-/0	-/60°	45	31,2	1,6	-/10,2	4000	4400
21515-2502	21515-2512	25	40	37,5	-/1,5	-/60°	58	43,7	1,85	-/14,4	6700	7300
21515-3002	21515-3012	30	47	44,5	-/2	-/55°	68	51,7	1,85	-/13,9	8300	9100
21515-4002	21515-4012	40	62	59	-/1,5	-/60°	80	60,3	2,15	-/18,2	13700	15000

