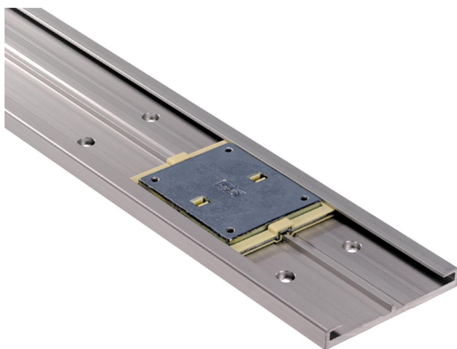


Item description/product images



Description

Material:

Carriage body zink.
Plastic bearing material iglidur® J.
Rail anodised aluminium.

Version:

Body chromed.
Guide rail natural colour anodised.

Note:

Flat slide guides are maintenance-free and corrosion resistant. Very high speeds and accelerations are possible due to the low weight. Applicable temperature max. 80 °C.

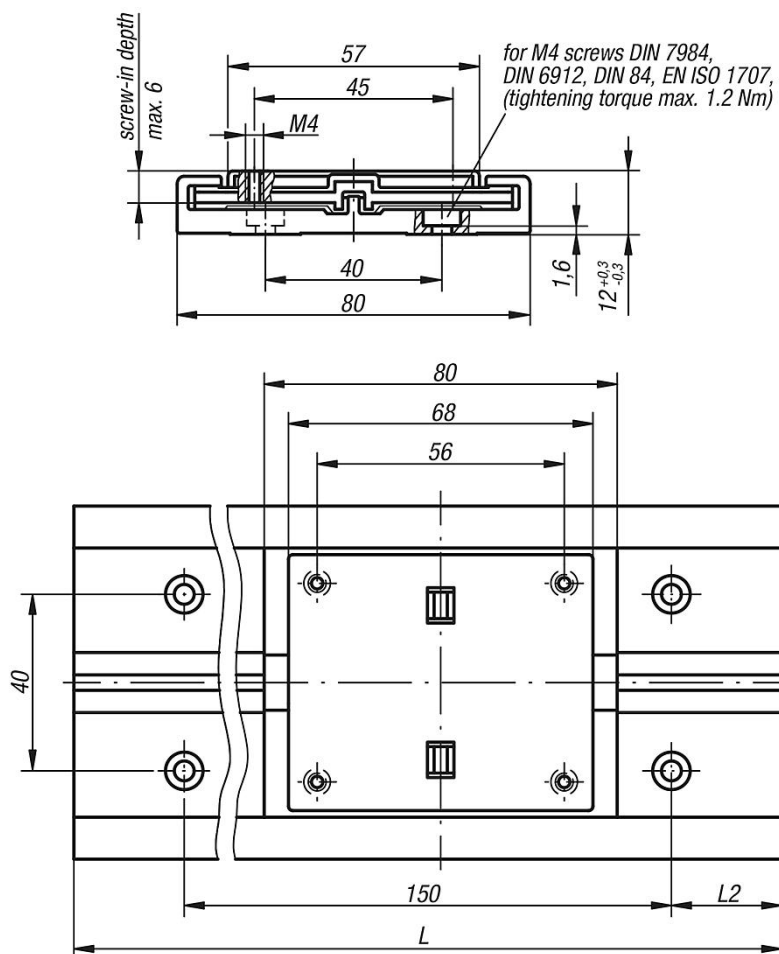
Miniature slide guides are insensitive to dust and are ideal for dry running.

** length L2 = 30 mm and

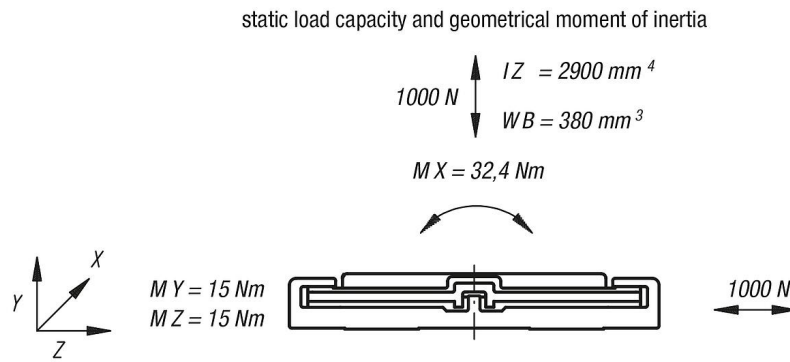
* L = 1000 mm included

L2 and L only available in full mm.

Drawings



Drawings



Overview of items

Carriage

Order No.	Version 2
21230-8000	fixed bearing
21230-8010	floating bearing

Guide rails

Order No.	Version	L max.	L2
21230-8030X3960	-	3960	30

Order No.	Version	L2	L2 min.	L2 max.
21230-80**X*	-	**	25	100