

Item description/product images



Description

Material:

Bearing material maintenance-free iglidur® J.
Rails anodised aluminium.

Version:

Guide rail natural colour anodised.
Carriage fastening thread brass.

Note:

Miniature slide guides are maintenance-free and corrosion resistant. Very high speeds and accelerations are possible due to the low weight. Applicable temperature max. 80 °C.

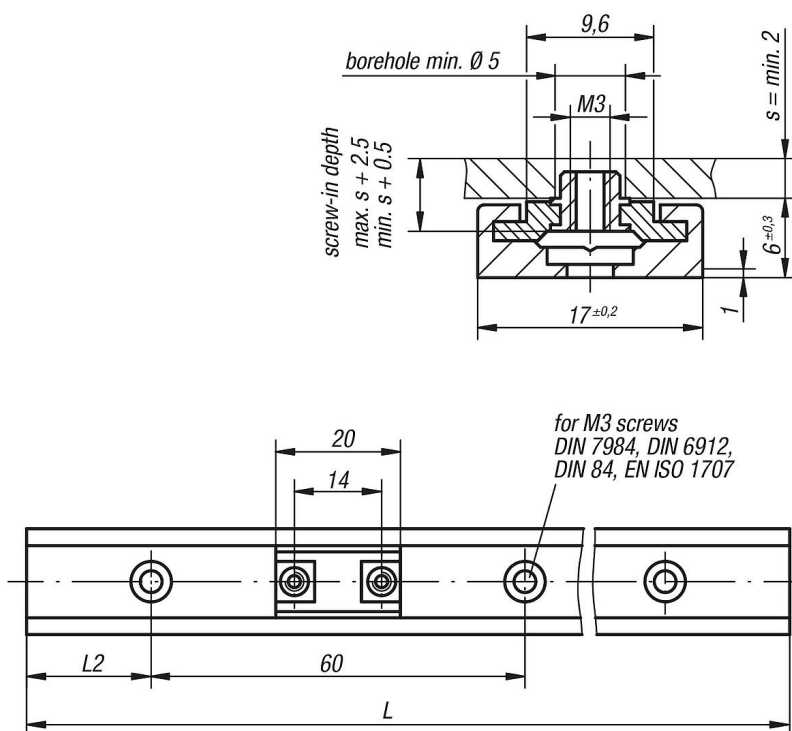
Miniature slide guides are insensitive to dust and ideally suited to dry running.

** lengths L2 = 20 mm

* and L = 500 mm included

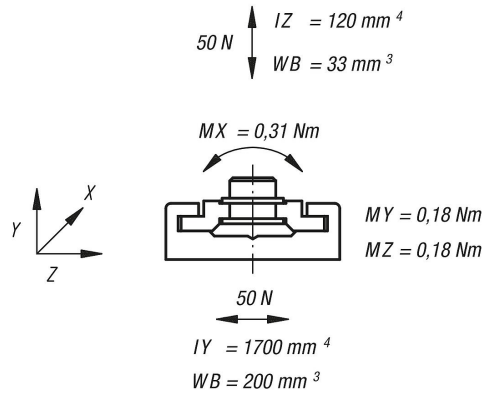
L2 and L only available in full mm.

Drawings



Drawings

static load capacity and geometrical moment of inertia



Overview of items

Carriage

Order No.	Item	Version 1
21230-1700	Guide Carriage	fixed bearing
21230-1710	Guide Carriage	floating bearing

Guide rails

Order No.	Item	L max.	L2
21230-1720X1960	Guide rail	1960	20

Order No.	Item	Version 1	L max.	L	L2	L2 min.	L2 max.
21230-17**X*	Guide rail	L2 and L customer specific	1960	*	**	20	49