

## Item description/product images



## Description

**Material:**

Housing, stainless steel 1.4301.  
 Bearing, stainless steel 1.4125.  
 Seal, rubber NBR.

**Version:**

Bright.

**Note:**

Pillow block bearings consist of a sealed single-row ball bearing with a spherical outer ring which is mounted in a housing. Because of the spherical outer surface of the bearing, shaft misalignment can be compensated for. The bearings are manufactured with a plus tolerance. This results in transition or press fits when using shafts with h-tolerances. The shaft is secured by grub screws on the inner ring.

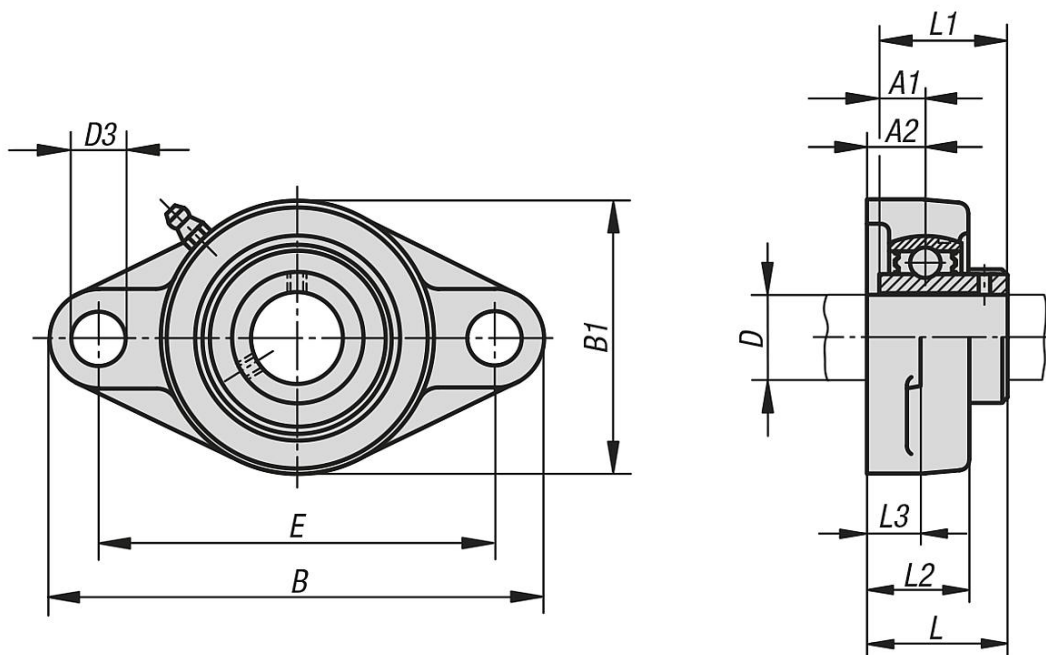
In normal applications, pillow block bearings are maintenance-free due to the lifetime lubrication. In difficult environmental conditions re-lubrication can be carried out over the grease nipple.

All housing dimensions are nominal dimensions for which the usual casting tolerances must be taken into consideration.

**Temperature range:**

-15 °C to +100 °C.

## Drawings



## Overview of items

Order No.	Bearing	Housing	D	A1	A2	B	B1	D3	E	L	L1	L2	L3	$\alpha$	Fastening screw
24244-20204	MUC 204	FL 204	20	12,7	15	113	60	12	90	33,3	31	25,5	11	10°	M10
24244-25205	MUC 205	FL 205	25	14,3	16	130	68	16	99	35,8	34,1	27	13	10°	M14
24244-30206	MUC 206	FL 206	30	15,9	18	148	80	16	117	40,2	38,1	31	13	10°	M14
24244-35207	MUC 207	FL 207	35	17,5	19	161	90	16	130	44,4	42,9	34	14	10°	M14
24244-40208	MUC 208	FL 208	40	19	21	175	100	16	144	51,2	49,2	36	14	10°	M14
24244-45209	MUC 209	FL 209	45	19	22	188	108	19	148	52,2	49,2	38	15	10°	M16
24244-50210	MUC 210	FL 210	50	19	22	197	115	19	157	54,6	51,6	40	15	10°	M16