

Item description/product images



Description

Material:

Housing, grey cast iron.
 Bearing, ball-bearing steel 100Cr6.
 Seal, rubber NBR.

Version:

Housing, painted.

Note:

Pillow block bearings consist of a sealed single-row ball bearing with a spherical outer ring which is mounted in a housing. Because of the spherical outer surface of the bearing, shaft misalignment can be compensated for. The bearings are manufactured with a plus tolerance. This results in transition or press fits when using shafts with h-tolerances. The shaft is secured by grub screws on the inner ring.

In normal applications, pillow block bearings are maintenance-free due to the lifetime lubrication. In difficult environmental conditions re-lubrication can be carried out over the grease nipple.

All housing dimensions are nominal dimensions for which the usual casting tolerances must be taken into consideration.

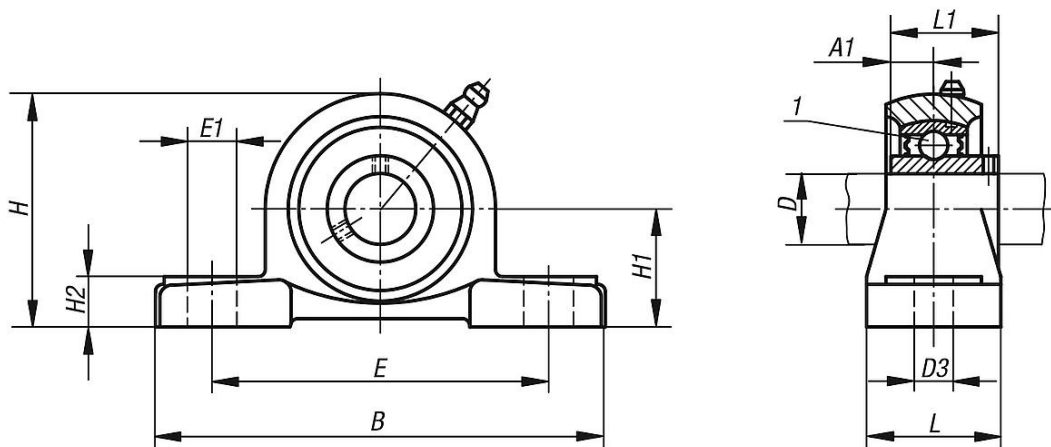
Temperature range:

-15 °C to +100 °C.

Drawing reference:

1) ball bearing

Drawings



Overview of items

Order No.	Bearing	Housing	D	A1	B	D3	E	E1	H	H1	H2	L	L1	α	Fastening screw
24200-12201	UC 201	P 201	12	12,7	127	13	95	19	65	30,2	14	38	31	10°	M10
24200-15202	UC 202	P 202	15	12,7	127	13	95	19	65	30,2	14	38	31	10°	M10
24200-17203	UC 203	P 203	17	12,7	127	13	95	19	65	30,2	14	38	31	10°	M10
24200-20204	UC 204	P 204	20	12,7	127	13	95	19	65	33,3	14	38	31	10°	M10

Overview of items

Order No.	Bearing	Housing	D	A1	B	D3	E	E1	H	H1	H2	L	L1	α	Fastening screw
24200-25205	UC 205	P 205	25	14,3	140	13	105	19	71	36,5	15	38	34	10°	M10
24200-30206	UC 206	P 206	30	15,9	165	17	121	20	84	42,9	17	44	38,1	10°	M14
24200-35207	UC 207	P 207	35	17,5	167	17	127	20	93	47,6	18	48	42,9	10°	M14
24200-40208	UC 208	P 208	40	19	184	17	137	20	100	49,2	18	54	49,2	10°	M14
24200-45209	UC 209	P 209	45	19	190	17	146	20	106	54	20	54	49,2	10°	M14
24200-50210	UC 210	P 210	50	19	206	20	159	23	113	57,2	21	60	51,6	10°	M16
24200-55211	UC 211	P 211	55	22,2	219	20	171	23	125	63,5	23	60	55,6	10°	M16
24200-60212	UC 212	P 212	60	25,4	241	20	184	23	138	69,8	25	70	65,1	10°	M16