

Item description/product images



Description

Material:

Stainless steel 1.4305.

Version:

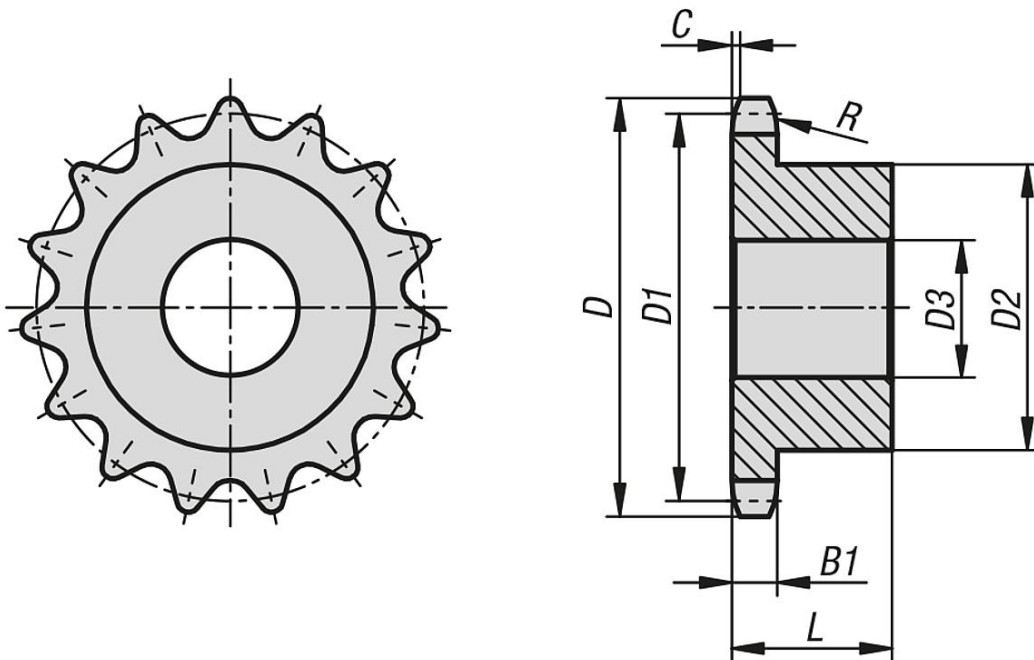
Bright.

Note:

Sprockets with hub one side for DIN ISO 606 roller chains.

The sprockets have a centre bore or are pre-drilled (this can vary due to production methods). For this reason, the dimension D3 max. given in the table is the maximum diameter of the bore that the sprockets are supplied with. This pilot hole/centre bore can be customised with a reamed hole, reamed hole with keyway or a tapped hole by the customer. Alternatively, bushes can be fitted by the customer to reduce the diameter.

Drawings



Overview of items

Order No.	ISO No.	Pitch inch	Pitch mm	No. of teeth	D	D1	D2	D3 max.	B1	L	C	R
22255-10380732013	06 B-1	3/8X7/32	9,525 x 5,72	13	43,5	39,8	28	8	5,3	25	1	10
22255-10380732014	06 B-1	3/8X7/32	9,525 x 5,72	14	46,5	42,8	31	8	5,3	25	1	10
22255-10380732015	06 B-1	3/8X7/32	9,525 x 5,72	15	49,5	45,81	34	8	5,3	25	1	10
22255-10380732016	06 B-1	3/8X7/32	9,525 x 5,72	16	52,5	48,82	37	10	5,3	28	1	10
22255-10380732017	06 B-1	3/8X7/32	9,525 x 5,72	17	55,5	51,83	40	10	5,3	28	1	10
22255-10380732018	06 B-1	3/8X7/32	9,525 x 5,72	18	58,6	54,85	43	10	5,3	28	1	10

Overview of items

Order No.	ISO No.	Pitch inch	Pitch mm	No. of teeth	D	D1	D2	D3 max.	B1	L	C	R
22255-10380732019	06 B-1	3/8X7/32	9,525 x 5,72	19	61,6	57,87	45	10	5,3	28	1	10
22255-10380732020	06 B-1	3/8X7/32	9,525 x 5,72	20	64,6	60,89	46	10	5,3	28	1	10
22255-10380732021	06 B-1	3/8X7/32	9,525 x 5,72	21	67,6	63,91	48	12	5,3	28	1	10
22255-10380732023	06 B-1	3/8X7/32	9,525 x 5,72	23	73,7	69,95	52	12	5,3	28	1	10
22255-10380732025	06 B-1	3/8X7/32	9,525 x 5,72	25	79,7	76	57	12	5,3	28	1	10
22255-10380732030	06 B-1	3/8X7/32	9,525 x 5,72	30	94,8	91,12	60	12	5,3	30	1	10