

## Item description/product images

**Description****Material:**

Body and rotary disc Al alloy.  
Shaft stainless steel.

**Version:**

Body and rotary disc anodised.

**Note:**

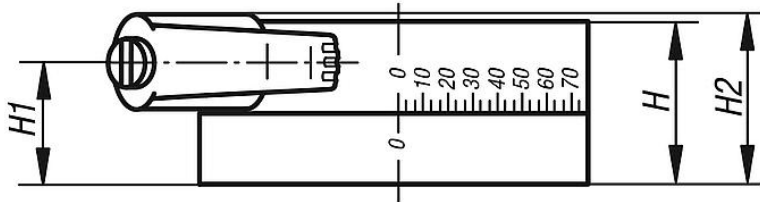
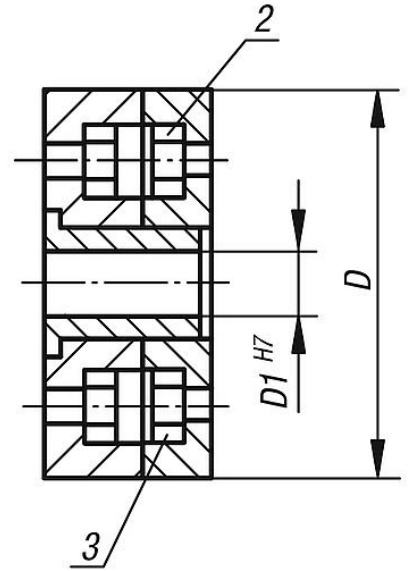
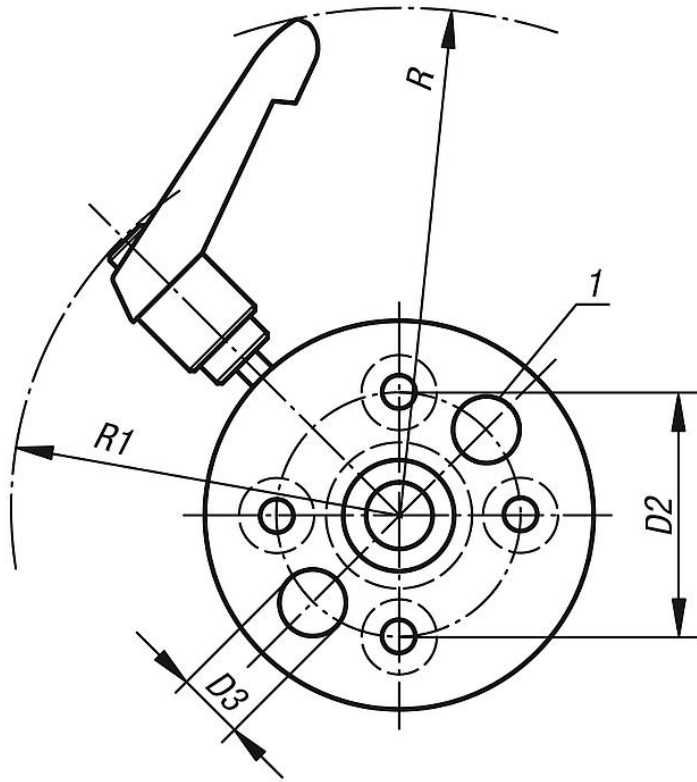
Loosen the clamping lever to revolve the rotary disc on the body. Rotates through 360°. The rotary disc indexes every 90° (21150-25 every 45°). Indexing is carried out by a ball plunger which can be easily removed.

Angular adjustment is set by a scale accurate to within 2°.

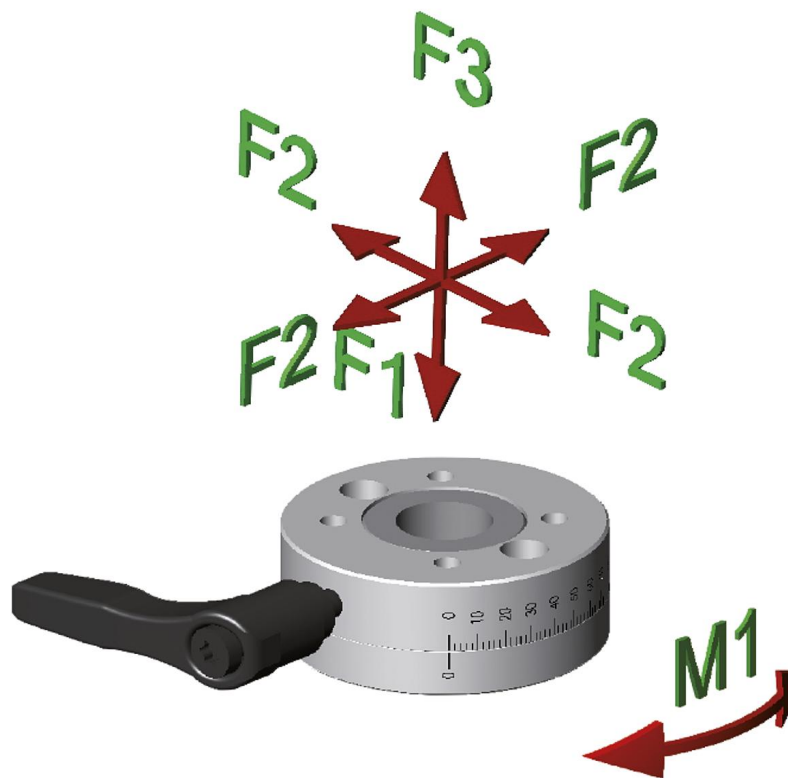
The rotary disc can be easily combined with other modules of the same size.

**Drawing reference:**

- 1) Assembly hole for pressing out the nut
- 2) DIN 934 nut (x8) can be pressed out M (D4)
- 3) DIN 974-1 countersink (D4)



## Drawings



## Overview of items

Order No.	D	D1	D2	D3	D4	H	H1	H2	R	R1	F1 N	F2 N	F3 N	M1 Nm
21150-04	35	6	22	6	3	15	9,5	16,5	64	44	50	30	50	2
21150-08	54	16	36	8	4	20	13,5	20,5	73	56	100	70	100	10
21150-12	80	25	60	13	6	25	17,5	24,5	85	69	150	100	150	15
21150-25	150	55	130	18,5	10	40	26	35,5	139	110	300	200	300	50