

Item description/product images



Description

Material:

Steel C45.

Grey cast iron GG22 from 38 teeth.

Version:

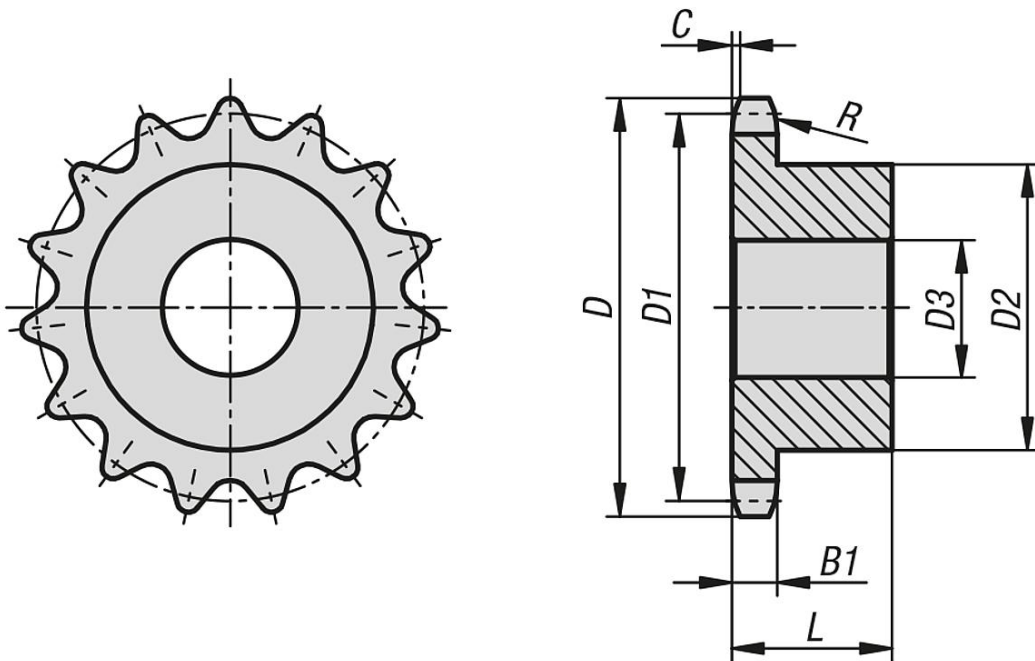
Bright, not hardened.

Note:

Sprockets with hub one side for DIN ISO 606 roller chains.

The sprockets have a centre bore or are pre-drilled (this can vary due to production methods). For this reason, the dimension D3 max. given in the table is the maximum diameter of the bore that the sprockets are supplied with. This pilot hole/centre bore can be customised with a reamed hole, reamed hole with keyway or a tapped hole by the customer. Alternatively, bushes can be fitted by the customer to reduce the diameter.

Drawings



Overview of items

Order No.	ISO No.	Pitch inch	Pitch mm	No. of teeth	D	D1	D2	D3 max.	B1	L	C	R
22252-10580308008	10 B-1	5/8X3/8	15,875 x 9,65	8	48,4	41,48	25	10	9,1	25	1,6	16
22252-10580308009	10 B-1	5/8X3/8	15,875 x 9,65	9	53,3	46,42	30	10	9,1	25	1,6	16
22252-10580308010	10 B-1	5/8X3/8	15,875 x 9,65	10	58,3	51,37	35	10	9,1	25	1,6	16
22252-10580308011	10 B-1	5/8X3/8	15,875 x 9,65	11	63,2	56,34	37	12	9,1	30	1,6	16
22252-10580308012	10 B-1	5/8X3/8	15,875 x 9,65	12	68,2	61,34	42	12	9,1	30	1,6	16
22252-10580308013	10 B-1	5/8X3/8	15,875 x 9,65	13	73,2	66,32	47	12	9,1	30	1,6	16
22252-10580308014	10 B-1	5/8X3/8	15,875 x 9,65	14	78,2	71,34	52	12	9,1	30	1,6	16
22252-10580308015	10 B-1	5/8X3/8	15,875 x 9,65	15	83,2	76,36	57	12	9,1	30	1,6	16
22252-10580308016	10 B-1	5/8X3/8	15,875 x 9,65	16	88,3	81,37	60	12	9,1	30	1,6	16
22252-10580308017	10 B-1	5/8X3/8	15,875 x 9,65	17	93,3	86,39	60	12	9,1	30	1,6	16
22252-10580308018	10 B-1	5/8X3/8	15,875 x 9,65	18	98,3	91,42	70	14	9,1	30	1,6	16

Overview of items

Order No.	ISO No.	Pitch inch	Pitch mm	No. of teeth	D	D1	D2	D3 max.	B1	L	C	R
22252-10580308019	10 B-1	5/8X3/8	15,875 x 9,65	19	103,3	96,45	70	14	9,1	30	1,6	16
22252-10580308020	10 B-1	5/8X3/8	15,875 x 9,65	20	108,4	101,49	75	14	9,1	30	1,6	16
22252-10580308021	10 B-1	5/8X3/8	15,875 x 9,65	21	113,4	106,52	75	16	9,1	30	1,6	16
22252-10580308022	10 B-1	5/8X3/8	15,875 x 9,65	22	118,4	111,55	80	16	9,1	30	1,6	16
22252-10580308023	10 B-1	5/8X3/8	15,875 x 9,65	23	123,5	116,58	80	16	9,1	30	1,6	16
22252-10580308024	10 B-1	5/8X3/8	15,875 x 9,65	24	128,5	121,62	80	16	9,1	30	1,6	16
22252-10580308025	10 B-1	5/8X3/8	15,875 x 9,65	25	133,6	126,66	80	16	9,1	30	1,6	16
22252-10580308026	10 B-1	5/8X3/8	15,875 x 9,65	26	138,6	131,7	85	20	9,1	35	1,6	16
22252-10580308027	10 B-1	5/8X3/8	15,875 x 9,65	27	143,6	136,75	85	20	9,1	35	1,6	16
22252-10580308028	10 B-1	5/8X3/8	15,875 x 9,65	28	148,7	141,78	90	20	9,1	35	1,6	16
22252-10580308029	10 B-1	5/8X3/8	15,875 x 9,65	29	153,7	146,83	90	20	9,1	35	1,6	16
22252-10580308030	10 B-1	5/8X3/8	15,875 x 9,65	30	158,8	151,87	90	20	9,1	35	1,6	16
22252-10580308031	10 B-1	5/8X3/8	15,875 x 9,65	31	163,8	156,92	95	20	9,1	35	1,6	16
22252-10580308032	10 B-1	5/8X3/8	15,875 x 9,65	32	168,9	161,95	95	20	9,1	35	1,6	16
22252-10580308033	10 B-1	5/8X3/8	15,875 x 9,65	33	173,9	167	95	20	9,1	35	1,6	16
22252-10580308034	10 B-1	5/8X3/8	15,875 x 9,65	34	178,9	172,05	95	20	9,1	35	1,6	16
22252-10580308035	10 B-1	5/8X3/8	15,875 x 9,65	35	184	177,1	95	20	9,1	35	1,6	16
22252-10580308036	10 B-1	5/8X3/8	15,875 x 9,65	36	189	182,15	100	20	9,1	35	1,6	16
22252-10580308037	10 B-1	5/8X3/8	15,875 x 9,65	37	194,1	187,2	100	20	9,1	35	1,6	16
22252-10580308038	10 B-1	5/8X3/8	15,875 x 9,65	38	199,1	192,24	80	24	9,1	40	1,6	16
22252-10580308045	10 B-1	5/8X3/8	15,875 x 9,65	45	236	227,58	80	24	9,1	40	1,6	16
22252-10580308057	10 B-1	5/8X3/8	15,875 x 9,65	57	296,6	288,18	90	24	9,1	45	1,6	16
22252-10580308076	10 B-1	5/8X3/8	15,875 x 9,65	76	392,5	384,16	90	24	9,1	50	1,6	16
22252-10580308095	10 B-1	5/8X3/8	15,875 x 9,65	95	488,5	480,14	100	24	9,1	56	1,6	16
22252-10580308114	10 B-1	5/8X3/8	15,875 x 9,65	114	584,5	576,13	100	24	9,1	56	1,6	16