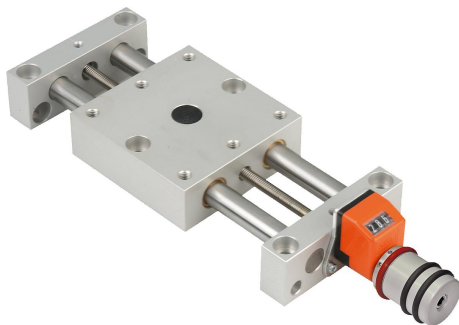


Item description/product images

**Description****Material:**

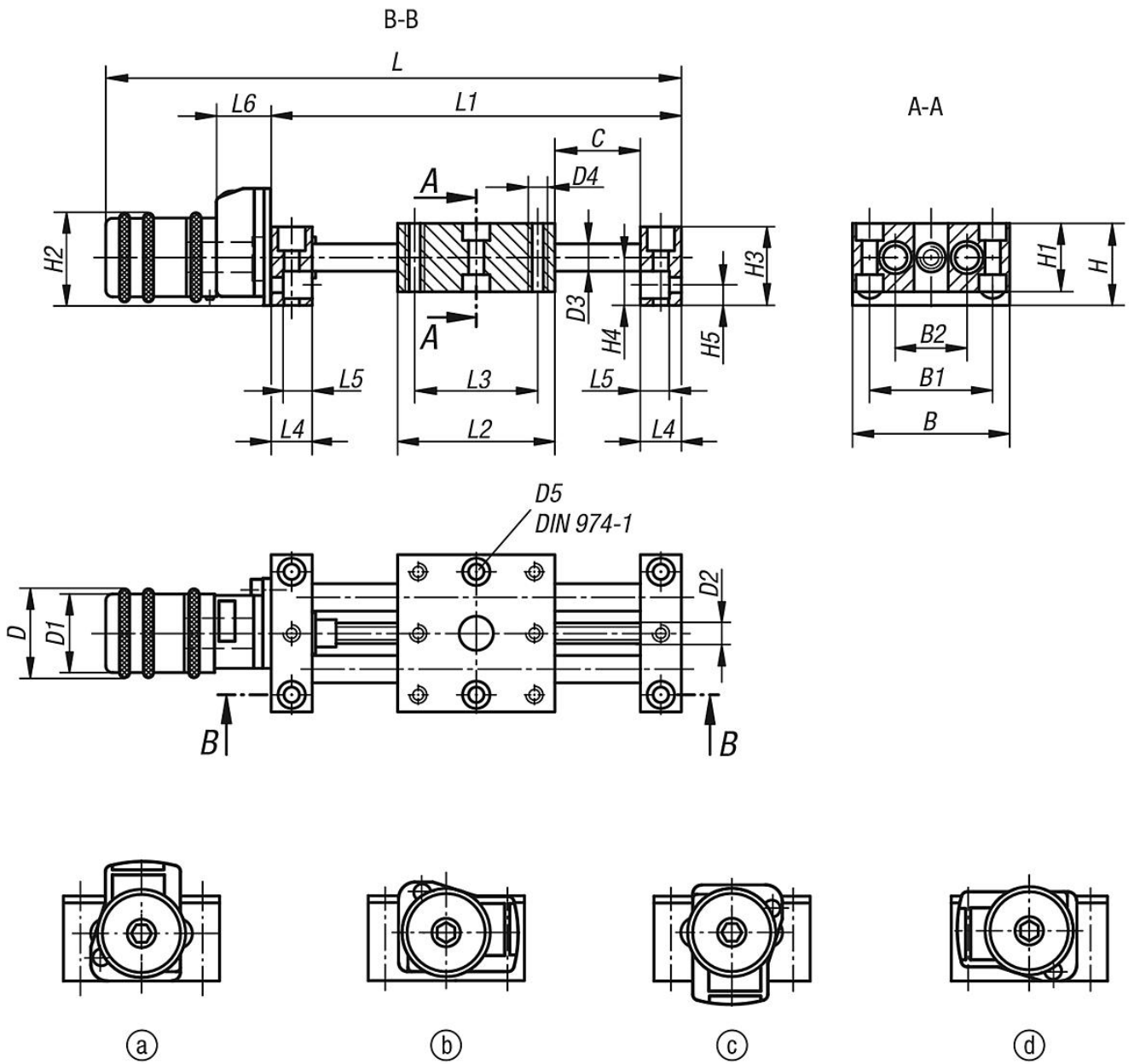
Bearing block and carriage aluminium alloy, anodised.
Guide columns stainless steel, ground.
Spindle stainless steel, rolled thread.
Guide bearing maintenance-free.
Position indicator plastic.

Version:

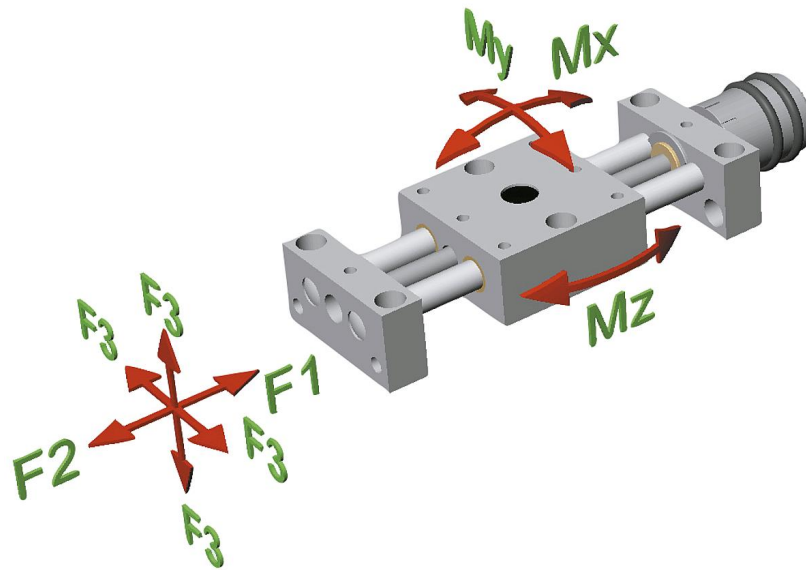
Radial play on guide < 0.02 mm.
No axial backlash.
Spindle self-locking, with additional lock.

Note:

Due to the practically play-free guides and absolutely play-free spindle, loosening or clamping of the spindle is not required during adjustments.
Digital position indicators with 0.1 mm display accuracy, digits increase with right rotation. The display value of the position indicator can be adjusted by turning the carrier ring. The mounted position of the position indicator can be set in 4 positions with a screw. Size 25 can be mounted in 3 positions (up, right and left).
Within the respective sizes, the positioning stages can be easily combined using the modular principle.



Drawings



Overview of items

Order No.	B	B1	B2	D	D1	D2	D3	D4	D5	H	H1	H2	H3	H4	H5	L	L1	L2	L3	L4	L5	L6	Travel S	F1 N	F2 N	F3 N	Mx Nm	My Nm	Mz Nm
21122-08	46	36	21	26	23	M6x1	8	M4	4	24	20	27	23	14	6	175	120	46	36	12	8,5	23	48	200	200	200	3,6	3,6	3,6
21122-12	75	60	38	26	23	M6x1	12	M6	6	28	25	28,5	27	15,5	7	235	180	75	60	15	11	23	73	300	300	300	18	18	18
21122-25	150	130	90	52	46	M16x2	25	M10	10	53	50	54	52	28	13	388	290	150	130	25	18	36	86	1000	1000	1000	65	65	18