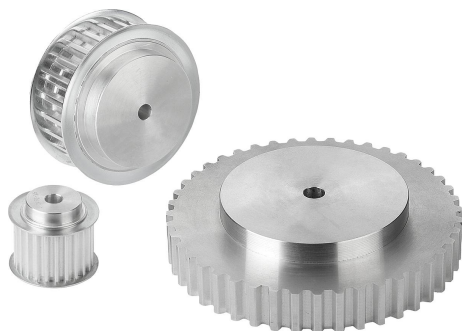


Item description/product images



Description

Material:

Aluminium.
Rim flanges, steel.

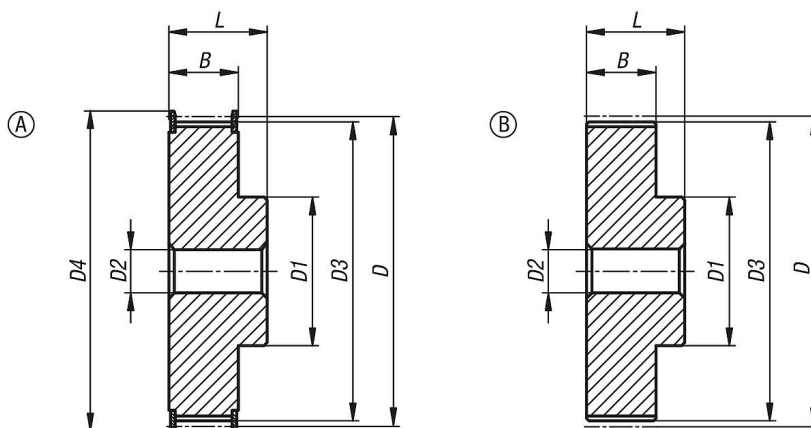
Version:

Aluminium bright.
Rim flanges, electro zinc-plated.

Note:

Standard T profile acc. to DIN 7721 T2 with metric pitch (trapezoidal toothing). At least one belt pulley must have a rim flange. The toothed belt pulleys have a centre bore or a pilot hole (this can vary due to manufacturing methods). For this reason, the dimension D2 max. given in the table is the maximum diameter of the bore with which the toothed belt pulleys are supplied. This pilot/centre bore can be amended by the customer to produce a reamed bore, reamed bore with keyway or a tapped hole. Alternatively, customers can also use bushes to reduce the bore diameter.

Drawings



Overview of items

Order No.	P=Profile	belt width	Form	No. of teeth	D	D1 max.	D2 max.	D3	D4 max.	B	L
22002-051010	T5	10	A	10	15,92	8	5	15,05	19,5	15	21
22002-051012	T5	10	A	12	19,01	10	6	18,25	23	15	21
22002-051014	T5	10	A	14	22,29	13	8	21,45	25	15	21
22002-051015	T5	10	A	15	23,88	16	10	23,05	28	15	21
22002-051016	T5	10	A	16	25,47	18	11	24,6	32	15	21
22002-051018	T5	10	A	18	28,65	20	12	27,8	30	15	21
22002-051019	T5	10	A	19	30,25	22	12	29,4	36	15	21
22002-051020	T5	10	A	20	31,83	23	14	31	36	15	21
22002-051022	T5	10	A	22	35,12	24	15	34,25	38	15	21
22002-051024	T5	10	A	24	38,21	26	15	37,4	42	15	21
22002-051025	T5	10	A	25	39,8	26	15	39	44	15	21
22002-051026	T5	10	A	26	41,47	26	16	40,6	44	15	21
22002-051027	T5	10	A	27	42,98	30	18	42,2	48	15	21
22002-051028	T5	10	A	28	44,62	32	18	43,75	48	15	21
22002-051030	T5	10	A	30	47,76	34	18	46,95	51	15	21
22002-051032	T5	10	A	32	50,94	38	22	50,1	54	15	21
22002-051036	T5	10	A	36	57,31	38	22	56,45	63	15	21
22002-051040	T5	10	A	40	63,66	40	23	62,85	66	15	21
22002-051042	T5	10	A	42	66,87	40	24	66	71	15	21

Overview of items

Order No.	P=Profile	belt width	Form	No. of teeth	D	D1 max.	D2 max.	D3	D4 max.	B	L
22002-051044	T5	10	B	44	70,07	45	26	69,2	-	15	21
22002-051048	T5	10	B	48	76,42	50	28	75,55	-	15	21
22002-051060	T5	10	B	60	95,52	65	35	94,65	-	15	21
22002-051610	T5	16	A	10	15,92	8	5	15,05	19,5	21	27
22002-051612	T5	16	A	12	19,01	10	6	18,25	23	21	27
22002-051614	T5	16	A	14	22,29	13	8	21,45	25	21	27
22002-051615	T5	16	A	15	23,88	16	10	23,05	28	21	27
22002-051616	T5	16	A	16	25,47	18	11	24,6	32	21	27
22002-051618	T5	16	A	18	28,65	20	12	27,8	30	21	27
22002-051619	T5	16	A	19	30,25	22	12	29,4	36	21	27
22002-051620	T5	16	A	20	31,83	23	14	31	36	21	27
22002-051622	T5	16	A	22	35,12	24	15	34,25	38	21	27
22002-051624	T5	16	A	24	38,21	26	15	37,4	42	21	27
22002-051625	T5	16	A	25	39,8	26	15	39	44	21	27
22002-051626	T5	16	A	26	41,47	26	16	40,6	44	21	27
22002-051627	T5	16	A	27	42,98	30	18	42,2	48	21	27
22002-051628	T5	16	A	28	44,62	32	18	43,75	48	21	27
22002-051630	T5	16	A	30	47,76	34	18	46,95	51	21	27
22002-051632	T5	16	A	32	50,94	38	22	50,1	54	21	27
22002-051636	T5	16	A	36	57,31	38	22	56,45	63	21	27
22002-051640	T5	16	A	40	63,66	40	23	62,85	66	21	27
22002-051642	T5	16	A	42	66,87	40	24	66	71	21	27
22002-051644	T5	16	B	44	70,07	45	26	69,2	-	21	27
22002-051648	T5	16	B	48	76,42	50	28	75,55	-	21	27
22002-051660	T5	16	B	60	95,52	65	35	94,65	-	21	27
22002-052510	T5	25	A	10	15,92	8	5	15,05	19,5	30	36
22002-052512	T5	25	A	12	19,01	10	6	18,25	23	30	36
22002-052514	T5	25	A	14	22,29	13	8	21,45	25	30	36
22002-052515	T5	25	A	15	23,88	16	10	23,05	28	30	36
22002-052516	T5	25	A	16	25,47	18	11	24,6	32	30	36
22002-052518	T5	25	A	18	28,65	20	12	27,8	30	30	36
22002-052519	T5	25	A	19	30,25	22	12	29,4	36	30	36
22002-052520	T5	25	A	20	31,83	23	14	31	36	30	36
22002-052522	T5	25	A	22	35,12	24	15	34,25	38	30	36
22002-052524	T5	25	A	24	38,21	26	15	37,4	42	30	36
22002-052525	T5	25	A	25	39,8	26	15	39	44	30	36
22002-052526	T5	25	A	26	41,47	26	16	40,6	44	30	36
22002-052527	T5	25	A	27	42,98	30	18	42,2	48	30	36
22002-052528	T5	25	A	28	44,62	32	18	43,75	48	30	36
22002-052530	T5	25	A	30	47,76	34	18	46,95	51	30	36
22002-052532	T5	25	A	32	50,94	38	22	50,1	54	30	36
22002-052536	T5	25	A	36	57,31	38	22	56,45	63	30	36
22002-052540	T5	25	A	40	63,66	40	23	62,85	66	30	36
22002-052542	T5	25	A	42	66,87	40	24	66	71	30	36
22002-052544	T5	25	B	44	70,07	45	26	69,2	-	30	36
22002-052548	T5	25	B	48	76,42	50	28	75,55	-	30	36
22002-052560	T5	25	B	60	95,52	65	35	94,65	-	30	36