

Item description/product images



Description

Material:

Stainless steel 1.4305.

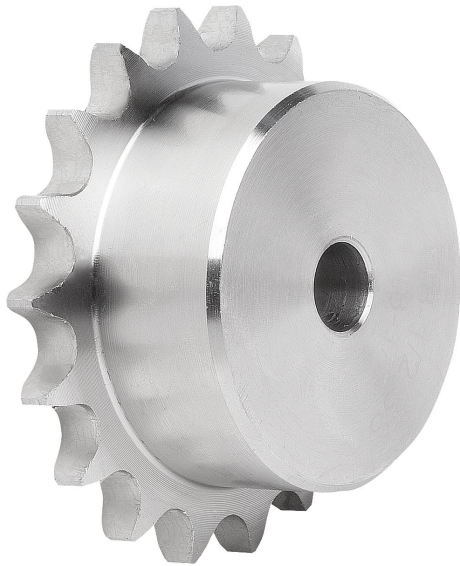
Version:

Bright.

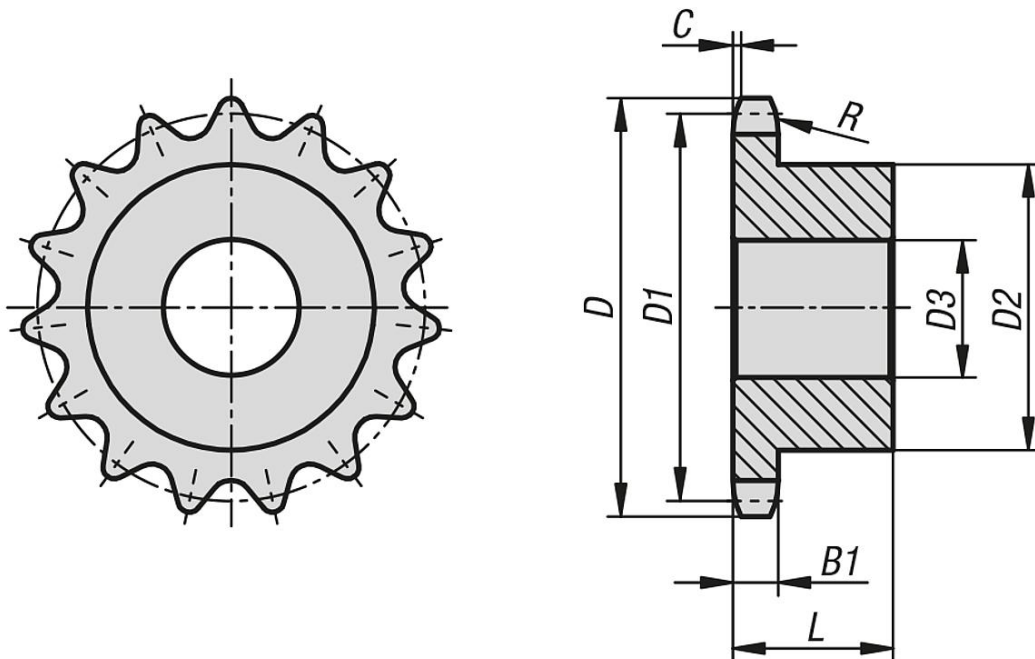
Note:

Sprockets with hub one side for DIN ISO 606 roller chains.

The sprockets have a centre bore or are pre-drilled (this can vary due to production methods). For this reason, the dimension D3 max. given in the table is the maximum diameter of the bore that the sprockets are supplied with. This pilot hole/centre bore can be customised with a reamed hole, reamed hole with keyway or a tapped hole by the customer. Alternatively, bushes can be fitted by the customer to reduce the diameter.



Drawings



Overview of items

Order No.	ISO No.	Pitch inch	Pitch mm	No. of teeth	D	D1	D2	D3 max.	B1	L	C	R
22255-10120516012	08 B-1	1/2X5/16	12,7 x 7,75	12	53,9	49,07	33	10	7,2	28	1,3	13
22255-10120516013	08 B-1	1/2X5/16	12,7 x 7,75	13	57,9	53,06	37	10	7,2	28	1,3	13
22255-10120516014	08 B-1	1/2X5/16	12,7 x 7,75	14	61,9	57,07	41	10	7,2	28	1,3	13
22255-10120516015	08 B-1	1/2X5/16	12,7 x 7,75	15	65,9	61,09	45	10	7,2	28	1,3	13
22255-10120516016	08 B-1	1/2X5/16	12,7 x 7,75	16	69,9	65,1	50	12	7,2	28	1,3	13
22255-10120516017	08 B-1	1/2X5/16	12,7 x 7,75	17	74	69,11	52	12	7,2	28	1,3	13

Overview of items

Order No.	ISO No.	Pitch inch	Pitch mm	No. of teeth	D	D1	D2	D3 max.	B1	L	C	R
22255-10120516018	08 B-1	1/2X5/16	12,7 x 7,75	18	78	73,14	56	12	7,2	28	1,3	13
22255-10120516019	08 B-1	1/2X5/16	12,7 x 7,75	19	82	77,16	60	12	7,2	28	1,3	13
22255-10120516020	08 B-1	1/2X5/16	12,7 x 7,75	20	86	81,19	64	12	7,2	28	1,3	13
22255-10120516021	08 B-1	1/2X5/16	12,7 x 7,75	21	90,1	85,22	68	14	7,2	28	1,3	13
22255-10120516023	08 B-1	1/2X5/16	12,7 x 7,75	23	98,1	93,27	70	14	7,2	28	1,3	13
22255-10120516025	08 B-1	1/2X5/16	12,7 x 7,75	25	106,2	101,33	70	14	7,2	28	1,3	13
22255-10120516030	08 B-1	1/2X5/16	12,7 x 7,75	30	126,3	121,5	80	16	7,2	30	1,3	13