

Item description/product images



Description

Material:

Steel C45.

Grey cast iron GG22 from 38 teeth.

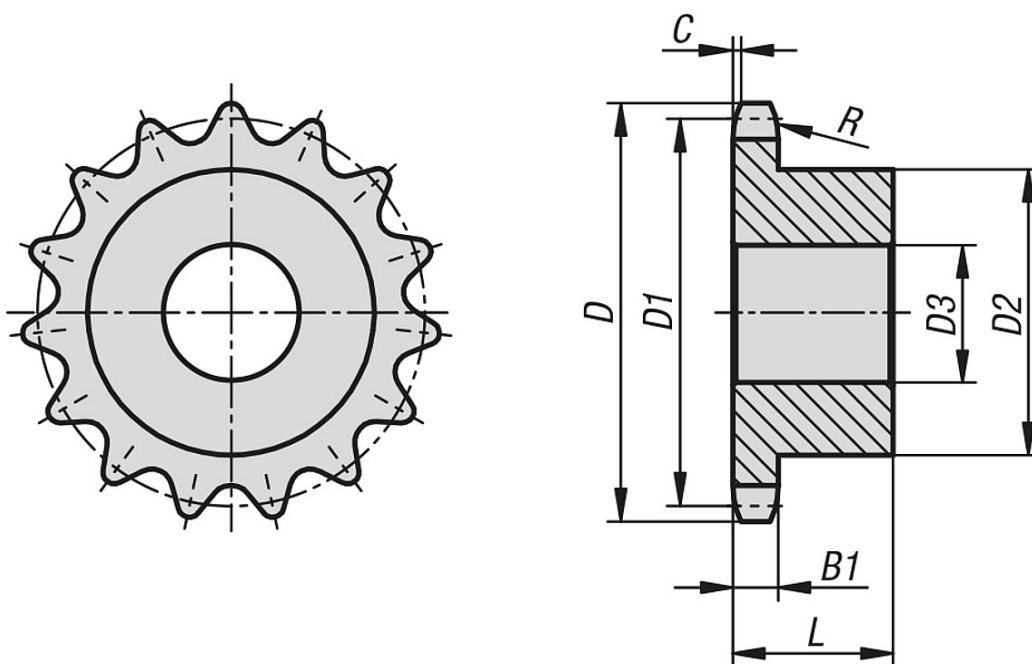
Version:

Bright, not hardened.

Note:

Sprockets with hub one side for DIN ISO 606 roller chains. The sprockets are pre-bored.

Drawings



Overview of items

Order No.	ISO No.	Pitch inches	Pitch mm	No. of teeth	D	D1	D2	D3	B1	L	C	R
22252-10340716008	12 B-1	3/4" x 7/16"	19,05 x 11,68	8	58	49,78	31	12	11,1	30	2	19
22252-10340716009	12 B-1	3/4" x 7/16"	19,05 x 11,68	9	63,9	55,7	37	12	11,1	30	2	19
22252-10340716010	12 B-1	3/4" x 7/16"	19,05 x 11,68	10	69,8	61,64	42	12	11,1	30	2	19
22252-10340716011	12 B-1	3/4" x 7/16"	19,05 x 11,68	11	75,8	67,61	46	16	11,1	35	2	19
22252-10340716012	12 B-1	3/4" x 7/16"	19,05 x 11,68	12	81,8	73,6	52	16	11,1	35	2	19
22252-10340716013	12 B-1	3/4" x 7/16"	19,05 x 11,68	13	87,8	79,59	58	16	11,1	35	2	19
22252-10340716014	12 B-1	3/4" x 7/16"	19,05 x 11,68	14	93,8	85,61	64	16	11,1	35	2	19
22252-10340716015	12 B-1	3/4" x 7/16"	19,05 x 11,68	15	99,8	91,63	70	16	11,1	35	2	19
22252-10340716016	12 B-1	3/4" x 7/16"	19,05 x 11,68	16	105,8	97,65	75	16	11,1	35	2	19
22252-10340716017	12 B-1	3/4" x 7/16"	19,05 x 11,68	17	111,9	103,67	80	16	11,1	35	2	19
22252-10340716018	12 B-1	3/4" x 7/16"	19,05 x 11,68	18	117,9	109,71	80	16	11,1	35	2	19
22252-10340716019	12 B-1	3/4" x 7/16"	19,05 x 11,68	19	123,9	115,75	80	16	11,1	35	2	19

Overview of items

Order No.	ISO No.	Pitch inches	Pitch mm	No. of teeth	D	D1	D2	D3	B1	L	C	R
22252-10340716020	12 B-1	3/4" x 7/16"	19,05 x 11,68	20	130	121,78	80	16	11,1	35	2	19
22252-10340716021	12 B-1	3/4" x 7/16"	19,05 x 11,68	21	136	127,82	90	20	11,1	40	2	19
22252-10340716022	12 B-1	3/4" x 7/16"	19,05 x 11,68	22	142	133,86	90	20	11,1	40	2	19
22252-10340716023	12 B-1	3/4" x 7/16"	19,05 x 11,68	23	148,1	139,9	90	20	11,1	40	2	19
22252-10340716024	12 B-1	3/4" x 7/16"	19,05 x 11,68	24	154,1	145,94	90	20	11,1	40	2	19
22252-10340716025	12 B-1	3/4" x 7/16"	19,05 x 11,68	25	160,2	152	90	20	11,1	40	2	19
22252-10340716026	12 B-1	3/4" x 7/16"	19,05 x 11,68	26	166,2	158,04	95	20	11,1	40	2	19
22252-10340716027	12 B-1	3/4" x 7/16"	19,05 x 11,68	27	172,3	164,09	95	20	11,1	40	2	19
22252-10340716028	12 B-1	3/4" x 7/16"	19,05 x 11,68	28	178,3	170,13	95	20	11,1	40	2	19
22252-10340716029	12 B-1	3/4" x 7/16"	19,05 x 11,68	29	184,4	176,19	95	20	11,1	40	2	19
22252-10340716030	12 B-1	3/4" x 7/16"	19,05 x 11,68	30	190,4	182,25	95	20	11,1	40	2	19
22252-10340716031	12 B-1	3/4" x 7/16"	19,05 x 11,68	31	196,5	188,31	95	20	11,1	40	2	19
22252-10340716032	12 B-1	3/4" x 7/16"	19,05 x 11,68	32	202,5	194,35	95	20	11,1	40	2	19
22252-10340716033	12 B-1	3/4" x 7/16"	19,05 x 11,68	33	208,6	200,4	95	20	11,1	40	2	19
22252-10340716034	12 B-1	3/4" x 7/16"	19,05 x 11,68	34	214,6	206,46	95	20	11,1	40	2	19
22252-10340716035	12 B-1	3/4" x 7/16"	19,05 x 11,68	35	220,7	212,52	95	20	11,1	40	2	19
22252-10340716036	12 B-1	3/4" x 7/16"	19,05 x 11,68	36	226,8	218,58	100	20	11,1	40	2	19
22252-10340716037	12 B-1	3/4" x 7/16"	19,05 x 11,68	37	232,8	224,64	100	20	11,1	40	2	19
22252-10340716038	12 B-1	3/4" x 7/16"	19,05 x 11,68	38	238,9	230,69	100	24	11,1	56	2	19
22252-10340716045	12 B-1	3/4" x 7/16"	19,05 x 11,68	45	283,2	273,1	100	24	11,1	56	2	19
22252-10340716057	12 B-1	3/4" x 7/16"	19,05 x 11,68	57	355,9	345,81	100	30	11,1	56	2	19
22252-10340716076	12 B-1	3/4" x 7/16"	19,05 x 11,68	76	471,1	460,99	100	30	11,1	56	2	19
22252-10340716095	12 B-1	3/4" x 7/16"	19,05 x 11,68	95	586,2	576,17	100	30	11,1	65	2	19
22252-10340716114	12 B-1	3/4" x 7/16"	19,05 x 11,68	114	701,4	691,36	100	30	11,1	65	2	19