

Item description/product images



Description

Material:

Steel C45.

Grey cast iron GG22 from 38 teeth.

Version:

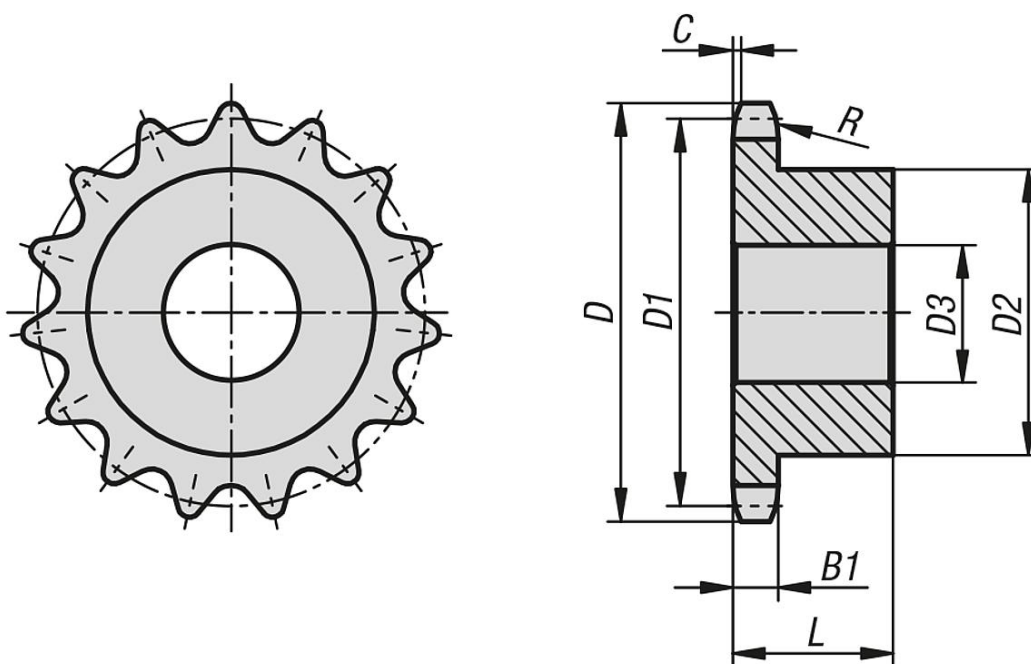
Bright, not hardened.

Note:

Sprockets with hub one side for DIN ISO 606 roller chains.

The sprockets have a centre bore or are pre-drilled (this can vary due to production methods). For this reason, the dimension D3 max. given in the table is the maximum diameter of the bore that the sprockets are supplied with. This pilot hole/centre bore can be customised with a reamed hole, reamed hole with keyway or a tapped hole by the customer. Alternatively, bushes can be fitted by the customer to reduce the diameter.

Drawings



Overview of items

Order No.	ISO No.	Pitch inch	Pitch mm	No. of teeth	D	D1	D2	D3 max.	B1	L	C	R
22252-10380732008	06 B-1	3/8X7/32	9,525 x 5,72	8	28,6	24,89	15	8	5,3	20	1	10
22252-10380732009	06 B-1	3/8X7/32	9,525 x 5,72	9	31,5	27,85	18	8	5,3	20	1	10
22252-10380732010	06 B-1	3/8X7/32	9,525 x 5,72	10	34,5	30,82	20	8	5,3	20	1	10
22252-10380732011	06 B-1	3/8X7/32	9,525 x 5,72	11	37,5	33,8	22	8	5,3	25	1	10
22252-10380732012	06 B-1	3/8X7/32	9,525 x 5,72	12	40,5	36,8	25	8	5,3	25	1	10
22252-10380732013	06 B-1	3/8X7/32	9,525 x 5,72	13	43,5	39,8	28	8	5,3	25	1	10
22252-10380732014	06 B-1	3/8X7/32	9,525 x 5,72	14	46,5	42,8	31	8	5,3	25	1	10
22252-10380732015	06 B-1	3/8X7/32	9,525 x 5,72	15	49,5	45,81	34	8	5,3	25	1	10
22252-10380732016	06 B-1	3/8X7/32	9,525 x 5,72	16	52,5	48,82	37	10	5,3	28	1	10
22252-10380732017	06 B-1	3/8X7/32	9,525 x 5,72	17	55,5	51,83	40	10	5,3	28	1	10
22252-10380732018	06 B-1	3/8X7/32	9,525 x 5,72	18	58,6	54,85	43	10	5,3	28	1	10

Overview of items

Order No.	ISO No.	Pitch inch	Pitch mm	No. of teeth	D	D1	D2	D3 max.	B1	L	C	R
22252-10380732019	06 B-1	3/8X7/32	9,525 x 5,72	19	61,6	57,87	45	10	5,3	28	1	10
22252-10380732020	06 B-1	3/8X7/32	9,525 x 5,72	20	64,6	60,89	46	10	5,3	28	1	10
22252-10380732021	06 B-1	3/8X7/32	9,525 x 5,72	21	67,6	63,91	48	12	5,3	28	1	10
22252-10380732022	06 B-1	3/8X7/32	9,525 x 5,72	22	70,6	66,93	50	12	5,3	28	1	10
22252-10380732023	06 B-1	3/8X7/32	9,525 x 5,72	23	73,7	69,95	52	12	5,3	28	1	10
22252-10380732024	06 B-1	3/8X7/32	9,525 x 5,72	24	76,7	72,97	54	12	5,3	28	1	10
22252-10380732025	06 B-1	3/8X7/32	9,525 x 5,72	25	79,7	76	57	12	5,3	28	1	10
22252-10380732026	06 B-1	3/8X7/32	9,525 x 5,72	26	82,7	79,02	60	12	5,3	28	1	10
22252-10380732027	06 B-1	3/8X7/32	9,525 x 5,72	27	85,7	82,04	60	12	5,3	28	1	10
22252-10380732028	06 B-1	3/8X7/32	9,525 x 5,72	28	88,8	85,07	60	12	5,3	28	1	10
22252-10380732029	06 B-1	3/8X7/32	9,525 x 5,72	29	91,8	88,09	60	12	5,3	28	1	10
22252-10380732030	06 B-1	3/8X7/32	9,525 x 5,72	30	94,8	91,12	60	12	5,3	30	1	10
22252-10380732031	06 B-1	3/8X7/32	9,525 x 5,72	31	97,9	94,15	65	14	5,3	30	1	10
22252-10380732032	06 B-1	3/8X7/32	9,525 x 5,72	32	100,9	97,17	65	14	5,3	30	1	10
22252-10380732033	06 B-1	3/8X7/32	9,525 x 5,72	33	103,9	100,2	65	14	5,3	30	1	10
22252-10380732034	06 B-1	3/8X7/32	9,525 x 5,72	34	106,9	103,23	65	14	5,3	30	1	10
22252-10380732035	06 B-1	3/8X7/32	9,525 x 5,72	35	110	106,26	65	14	5,3	30	1	10
22252-10380732036	06 B-1	3/8X7/32	9,525 x 5,72	36	113	109,29	70	16	5,3	30	1	10
22252-10380732037	06 B-1	3/8X7/32	9,525 x 5,72	37	116	112,32	70	16	5,3	30	1	10
22252-10380732038	06 B-1	3/8X7/32	9,525 x 5,72	38	119	115,34	70	20	5,3	32	1	10
22252-10380732045	06 B-1	3/8X7/32	9,525 x 5,72	45	141,1	136,54	70	20	5,3	32	1	10
22252-10380732057	06 B-1	3/8X7/32	9,525 x 5,72	57	177,5	172,91	70	20	5,3	32	1	10
22252-10380732076	06 B-1	3/8X7/32	9,525 x 5,72	76	235,1	230,49	70	20	5,3	35	1	10
22252-10380732095	06 B-1	3/8X7/32	9,525 x 5,72	95	292,7	288,08	80	20	5,3	40	1	10
22252-10380732114	06 B-1	3/8X7/32	9,525 x 5,72	114	350,3	345,68	80	20	5,3	40	1	10