

## Item description/product images



## Description

**Material:**

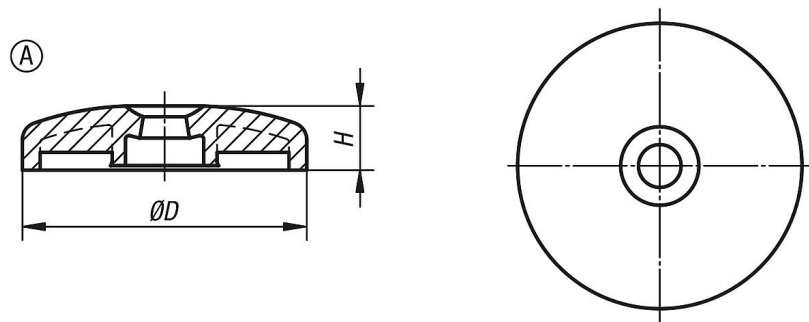
Plates, thermoplastic, glass-fibre reinforced.

**Note:**

Levelling feet consist of a plate and a threaded spindle. Any plate can be combined with any threaded spindle.

For matching threaded spindles, see 27828.

## Drawings



## Overview of items

Order No.	Form	D	H	Load rating max. kN
27815-1060	A	60	18	12
27815-1080	A	80	18	12
27815-1100	A	100	18	12