

## Item description/product images



## Description

**Material:**

Plates, thermoplastic, fibreglass reinforced.

**Version:**

Black.

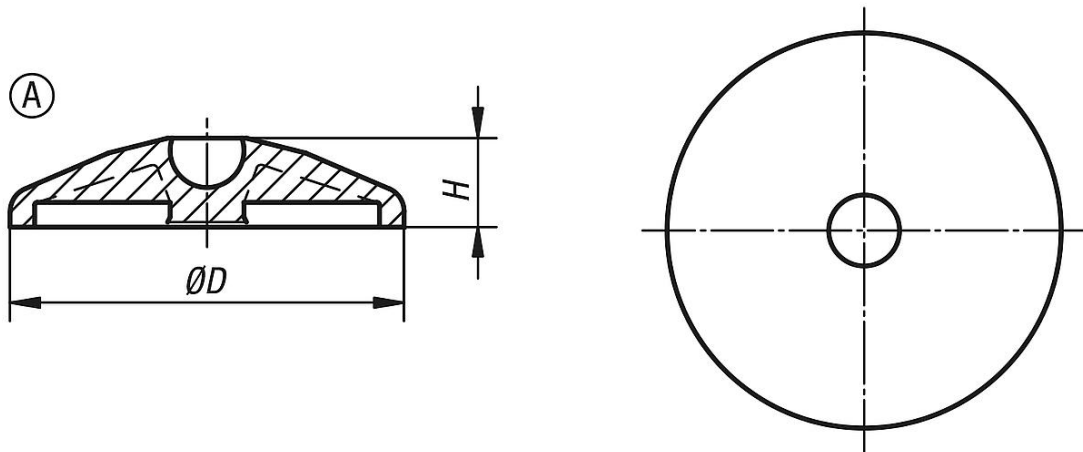
**Note:**

Swivel feet consist of a plate and a threaded spindle or ball joint. Any plate can be combined with any threaded spindle or ball joint.

For matching threaded spindles see 27810.

For matching ball joints see 27811.

## Drawings



## Overview of items

Order No.	Form	Size	D	H	Load rating max. kN
27800-1030	A	30	29	18	5
27800-1040	A	40	39	18	9
27800-1045	A	45	44	18	9
27800-1050	A	50	49	18	9
27800-1060	A	60	59	18	9
27800-1080	A	80	79	18	9
27800-1100	A	100	99	18	9