

Item description/product images

**Description****Material:**

Fibreglass reinforced thermoplastic.

Hinge pin steel.

Bushes brass.

Version:

Hinge black.

Hinge pin electro zinc-plated.

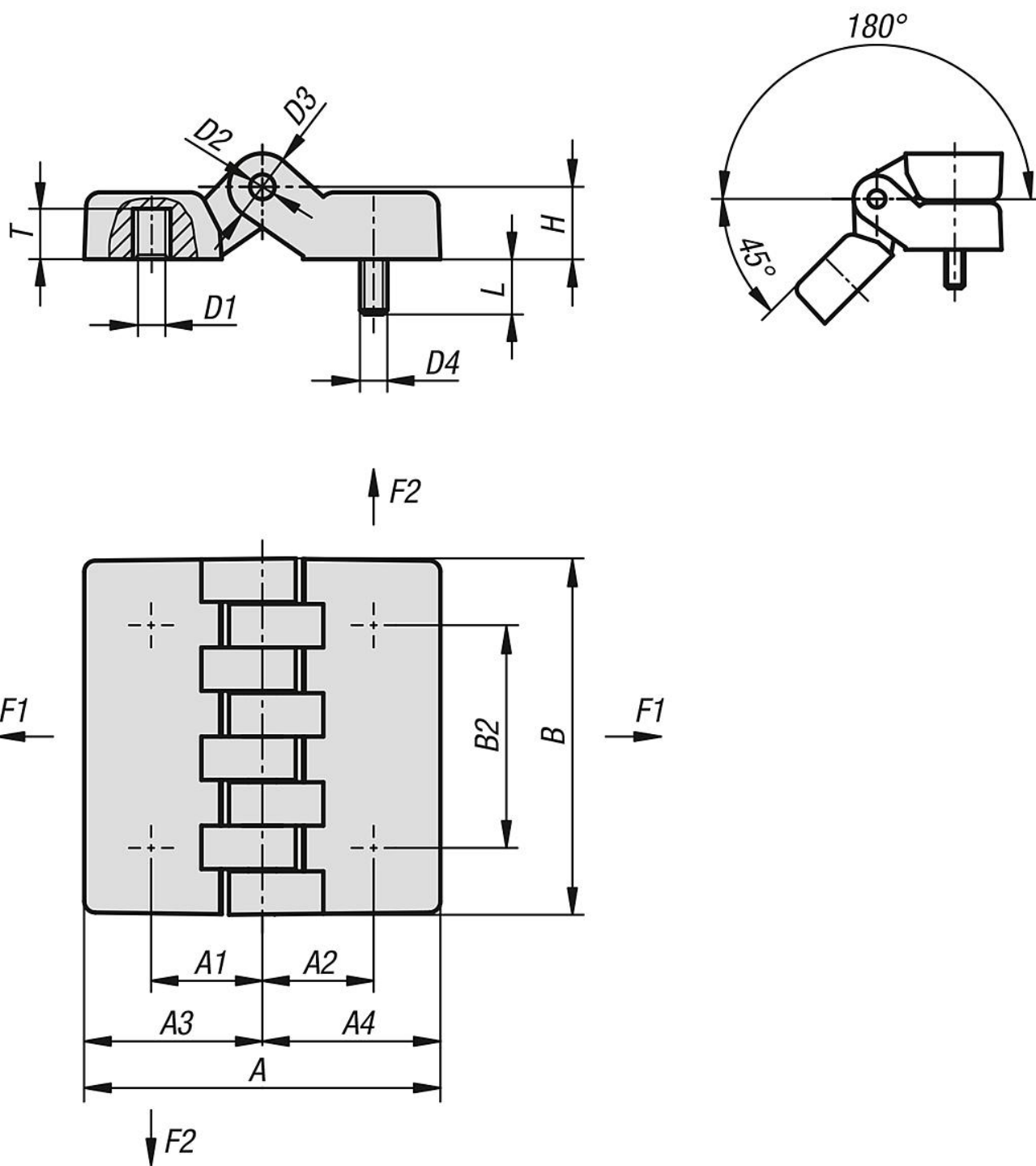
Note:

The loading values given for the hinges are non-binding reference values without consideration of safety factors and exclude any liability. The values given are for information purposes only and do not constitute a legally binding assurance of properties.

The load values have been determined under laboratory conditions. Each user must determine individually whether the hinge is suitable for the respective application.

Different materials onto which the hinges are installed and the type of mounting, weather conditions and wear can influence the determined values.

Drawings



Overview of items

Order No.	A	A1	A2	A3	A4	B	B2	D1	D2	D3	D4	H	L	T	F1 N	F2 N
27884-05241515	48	15	15	24	24	48	30	M5	5	10	M5	10,5	15	7	1850	1350
27884-06241515	48	15	15	24	24	48	30	M6	5	10	M6	10,5	15	7	1850	1350
27884-06322020	64	20	20	32	32	64	40	M6	5	12	M6	13	20	9	4000	1600
27884-08322020	64	20	20	32	32	64	40	M8	5	12	M8	13	20	9	4000	1600
27884-08483232	95	31,5	31,5	47,5	47,5	95	60	M8	8	18	M8	19	20	13	3100	1400
27884-10483232	95	31,5	31,5	47,5	47,5	95	60	M10	8	18	M10	19	20	13	3100	1400

