

## Item description/product images



## Description

**Material:**

Plates thermoplastic; die-cast zinc or stainless steel 1.4305.

**Version:**

Thermoplastic plate black.

Die-cast zinc plate blue electro zinc-plated.

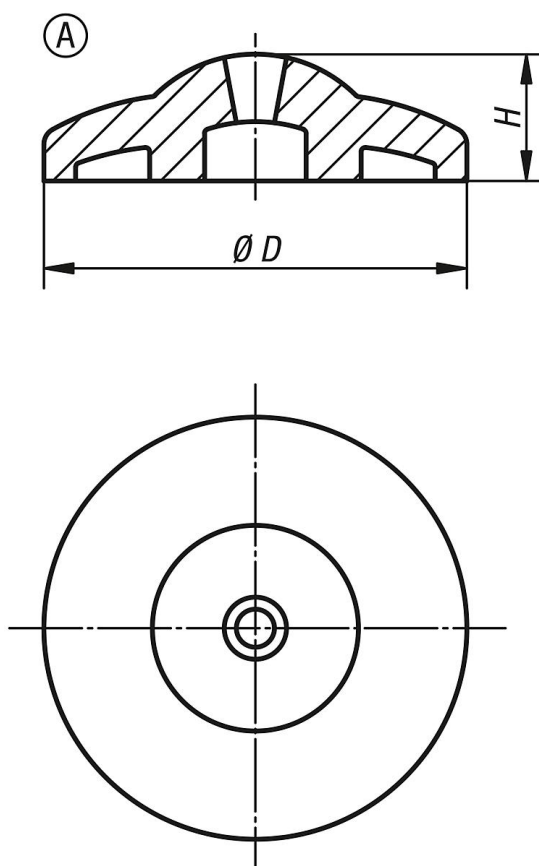
Stainless steel plate bright.

**Note:**

ECO swivel feet consist of a plate and a threaded spindle. Any plate can be combined with any threaded spindle.

For matching threaded spindles, see 27832.

## Drawings



## Overview of items

Order No.	Form	Main material	D	H	Load rating max. kN
27830-10301	A	zinc	30	11,5	16
27830-10401	A	zinc	40	12	18
27830-10501	A	zinc	50	14,5	20
27830-10302	A	stainless steel	30	11,5	22
27830-10402	A	stainless steel	40	12	24
27830-10502	A	stainless steel	50	14,5	26
27830-10303	A	thermoplastic	30	11,5	15
27830-10403	A	thermoplastic	40	12	15
27830-10503	A	thermoplastic	50	14,5	15

