

Item description/product images



Description

Material:

Plate die-cast zinc or stainless steel 1.4305.
Anti-slip plate thermoplastic elastomer.

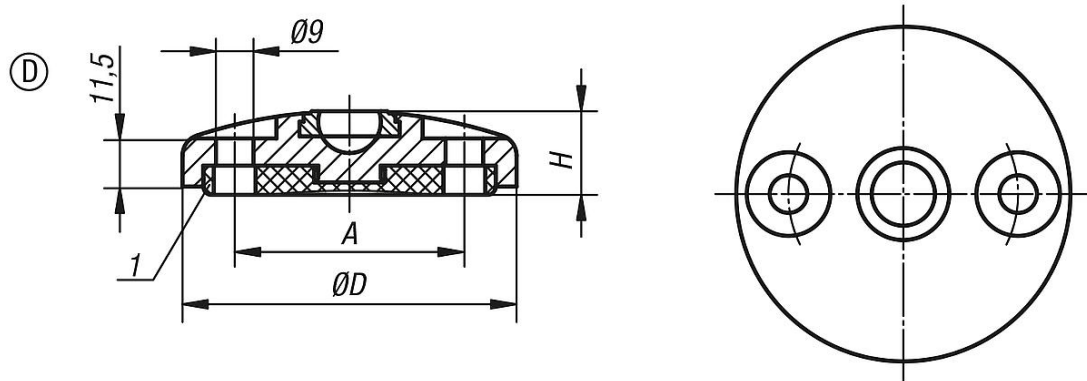
Version:

Die-cast zinc plate, black powder-coated.
Stainless steel plate, bright.

Note:

Swivel feet consist of a plate and a threaded spindle or ball joint. Any plate can be combined with any threaded spindle or ball joint. The anti-slip plate absorbs vibrations and prevents the swivel foot slipping.
For matching threaded spindles see 27810.
For matching ball joints see 27811.

Drawings



Overview of items

Order No.	Form	Main material	D	A	H	Load rating max. kN
27801-40801	D	zinc	80	55	20	30
27801-41001	D	zinc	100	74	20	35
27801-41201	D	zinc	120	94	20	35
27801-40802	D	stainless steel	80	55	20	35
27801-41002	D	stainless steel	100	74	20	40
27801-41202	D	stainless steel	120	94	20	40