

## Item description/product images



## Description

**Material:**

Plate die-cast zinc or stainless steel 1.4305.  
Anti-slip plate thermoplastic elastomer.

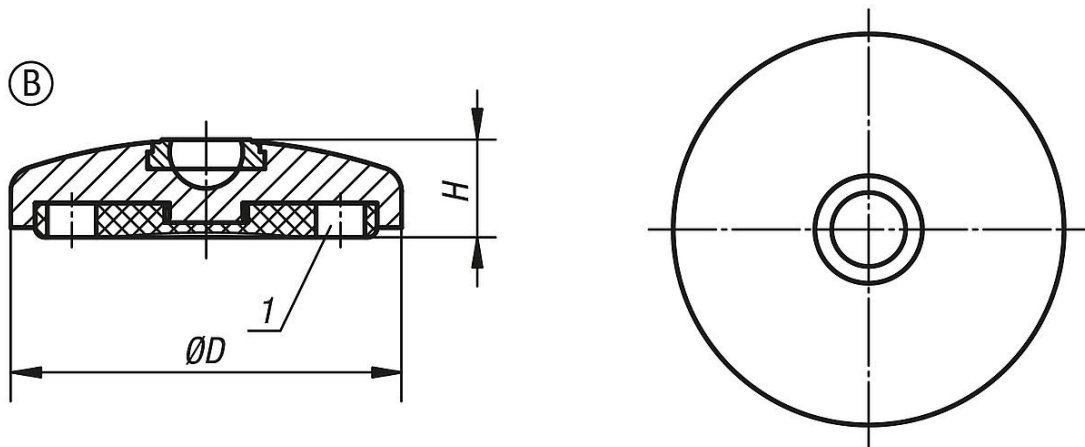
**Version:**

Die-cast zinc plate, black powder-coated.  
Stainless steel plate, bright.

**Note:**

Swivel feet consist of a plate and a threaded spindle or ball joint. Any plate can be combined with any threaded spindle or ball joint. The anti-slip plate absorbs vibrations and prevents the swivel foot slipping.  
For matching threaded spindles see 27810.  
For matching ball joints see 27811.

## Drawings



## Overview of items

Order No.	Form	Main material	D	A	H	Load rating max. kN
27801-20301	B	zinc	30	-	20	20
27801-20401	B	zinc	40	-	20	30
27801-20451	B	zinc	45	-	20	30
27801-20501	B	zinc	50	-	20	30
27801-20601	B	zinc	60	-	20	30
27801-20801	B	zinc	80	-	20	30
27801-21001	B	zinc	100	-	20	35
27801-21201	B	zinc	120	-	20	35
27801-20302	B	stainless steel	30	-	20	20
27801-20402	B	stainless steel	40	-	20	30
27801-20452	B	stainless steel	45	-	20	30
27801-20502	B	stainless steel	50	-	20	35
27801-20602	B	stainless steel	60	-	20	35
27801-20802	B	stainless steel	80	-	20	35
27801-21002	B	stainless steel	100	-	20	40
27801-21202	B	stainless steel	120	-	20	40

