

Item description/product images



Description

Material:

Plates die-cast zinc or stainless steel 1.4305.

Version:

Die-cast zinc plate, black powder-coated.

Stainless steel plate, bright.

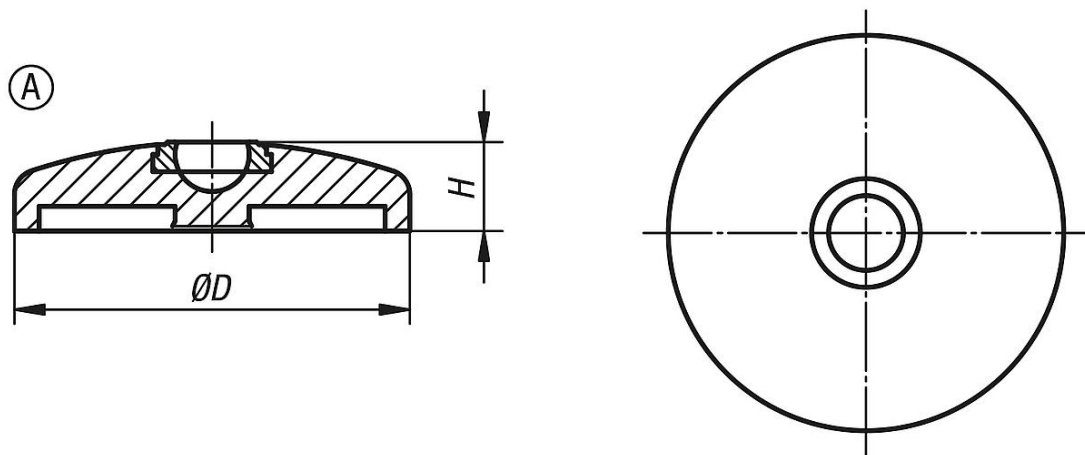
Note:

Swivel feet consist of a plate and a threaded spindle or ball joint. Any plate can be combined with any threaded spindle or ball joint.

For matching threaded spindles see 27810.

For matching ball joints see 27811.

Drawings



Overview of items

Order No.	Form	Main material	D	A	H	Load rating max. kN
27801-10301	A	zinc	30	-	18	20
27801-10401	A	zinc	40	-	18	30
27801-10451	A	zinc	45	-	18	30
27801-10501	A	zinc	50	-	18	30
27801-10601	A	zinc	60	-	18	30
27801-10801	A	zinc	80	-	18	30
27801-11001	A	zinc	100	-	18	35
27801-11201	A	zinc	120	-	18	35
27801-10302	A	stainless steel	30	-	18	20
27801-10402	A	stainless steel	40	-	18	30
27801-10452	A	stainless steel	45	-	18	30
27801-10502	A	stainless steel	50	-	18	35
27801-10602	A	stainless steel	60	-	18	35
27801-10802	A	stainless steel	80	-	18	35
27801-11002	A	stainless steel	100	-	18	40
27801-11202	A	stainless steel	120	-	18	40

