

Item description/product images



Description

Material:

Plate die-cast zinc.

Anti-slip plate thermoplastic elastomer.

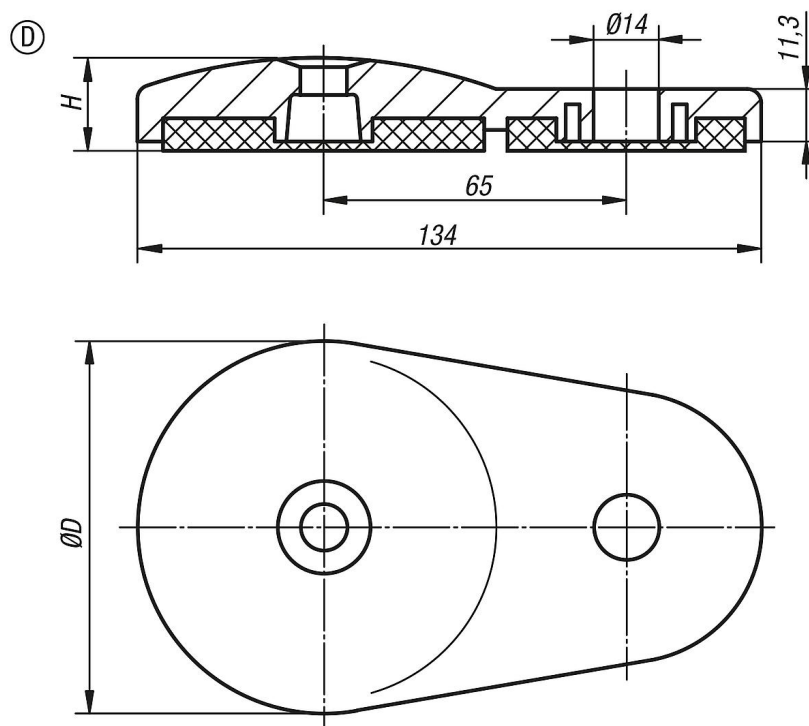
Version:

Plate black powder-coated.

Note:

Levelling feet consist of a plate and a threaded spindle. Any plate can be combined with any threaded spindle. The anti-slip plate absorbs vibrations and prevents the levelling foot slipping. For matching threaded spindles see 27828.

Drawings



Overview of items

Order No.	Form	H	Load rating max. kN
27818-40801	D	20	35