

## Item description/product images



## Description

**Material:**

Steel.

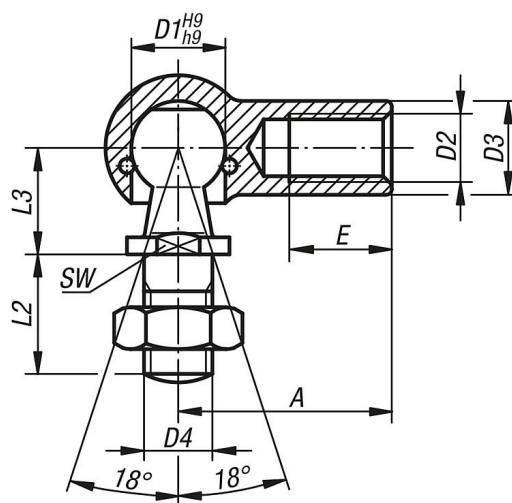
**Version:**

Trivalent passivated.

**Note:**

LH thread refers to dimension D2.

## Drawings

Form C  
without circlip

## Overview of items

Order No.	Form	Version	Main material	D1	D2	D3	D4	A	L2	L3	E	SW
27650-0805	C	RH thread	steel	8	M5	8	M5	22	10,2	9	10,2	7
27650-1006	C	RH thread	steel	10	M6	10	M6	25	12,5	11	11,5	8
27650-1308	C	RH thread	steel	13	M8	13	M8	30	16,5	13	14	11
27650-1610	C	RH thread	steel	16	M10	16	M10	35	20	16	15,5	13
27650-1612	C	RH thread	steel	16	M12	16	M12	35	20	16	15,5	13
27650-1914	C	RH thread	steel	19	M14x1,5	22	M14x1,5	45	28	20	21,5	16
27650-1916	C	RH thread	steel	19	M16	22	M16	45	28	20	21,5	16
27650-080501	C	LH thread	steel	8	M5	8	M5	22	10,2	9	10,2	7
27650-100601	C	LH thread	steel	10	M6	10	M6	25	12,5	11	11,5	8
27650-130801	C	LH thread	steel	13	M8	13	M8	30	16,5	13	14	11
27650-161001	C	LH thread	steel	16	M10	16	M10	35	20	16	15,5	13
27650-161201	C	LH thread	steel	16	M12	16	M12	35	20	16	15,5	13
27650-191401	C	LH thread	steel	19	M14x1,5	22	M14x1,5	45	28	20	21,5	16
27650-191601	C	LH thread	steel	19	M16	22	M16	45	28	20	21,5	16

