

Item description/product images



Description

Material:

Plates, thermoplastic, glass-fibre reinforced.

Version:

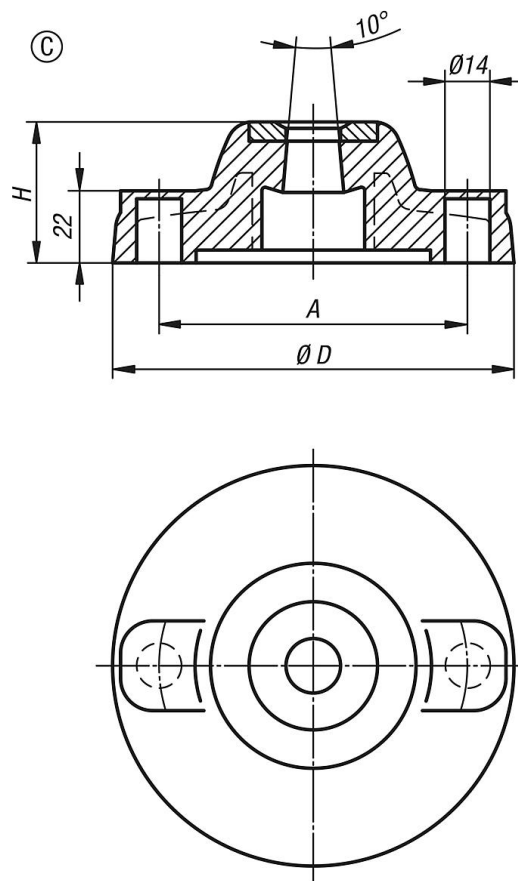
Black.

Note:

Levelling feet consist of a plate and a threaded spindle. Any plate can be combined with any threaded spindle.

For matching threaded spindles, see 27828.

Drawings



Overview of items

Order No.	Form	D	A	H	Load rating max. kN
27816-31251	C	125	96	44	18
27816-31751	C	175	135	45	25

Overview of items
