

## Item description/product images



## Description

**Material:**

Housing, cap in thermoplastic polyamide 66.  
Zinc dipstick.  
O-ring in rubber (NBR).

**Version:**

Housing black.  
Cap red.  
Dipstick phosphated.

**Note:**

The removable cap allows easy cleaning of the air filter.

Form A: without air filter

Form B: with air filter

**Temperature range:**

Temperature resistant with oil up to 100°C.

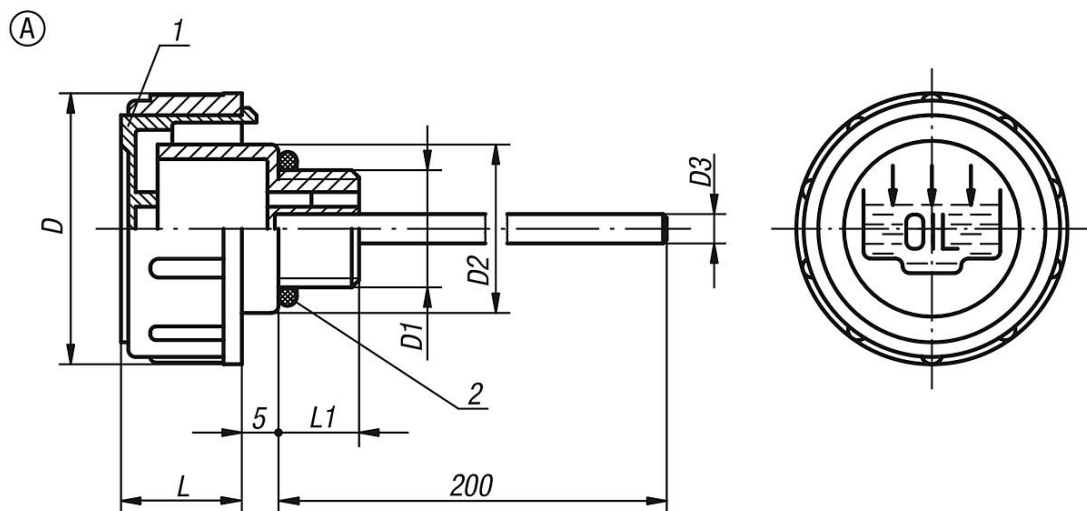
**On request:**

Min-Max markings.

**Drawing reference:**

- 1) cap
- 2) O-ring

## Drawings



## Overview of items

Order No.	Form	D	D1	D2	D3	L	L1
28054-136038	A	36	G3/8	23	4	17	11
28054-141012	A	41	G1/2	28	4	18	12
28054-147034	A	47	G3/4	33	5	17	12
28054-152100	A	52	G1	38	5	20	12
28054-163114	A	63	G1 1/4	49	5	23	13
28054-163112	A	63	G1 1/2	55	5	23	13,5
28054-1361615	A	36	M16x1,5	23	4	17	11

## Overview of items

Order No.	Form	D	D1	D2	D3	L	L1
28054-1411815	A	41	M18x1,5	28	4	17,5	12
28054-1412015	A	41	M20x1,5	28	4	17,5	12
28054-1412215	A	41	M22x1,5	28	4	17,5	12