

Item description/product images



Description

Material:

Housing and cap thermoplastic polyamide 66.

Air filter polyurethane (PU foam).

Dipstick zinc.

O-ring NBR, Shore 70.

Version:

Housing black.

Cap red.

Filter mesh 50 μm .

Dipstick phosphated.

Note:

Temperature resistant to 100°C.

On request:

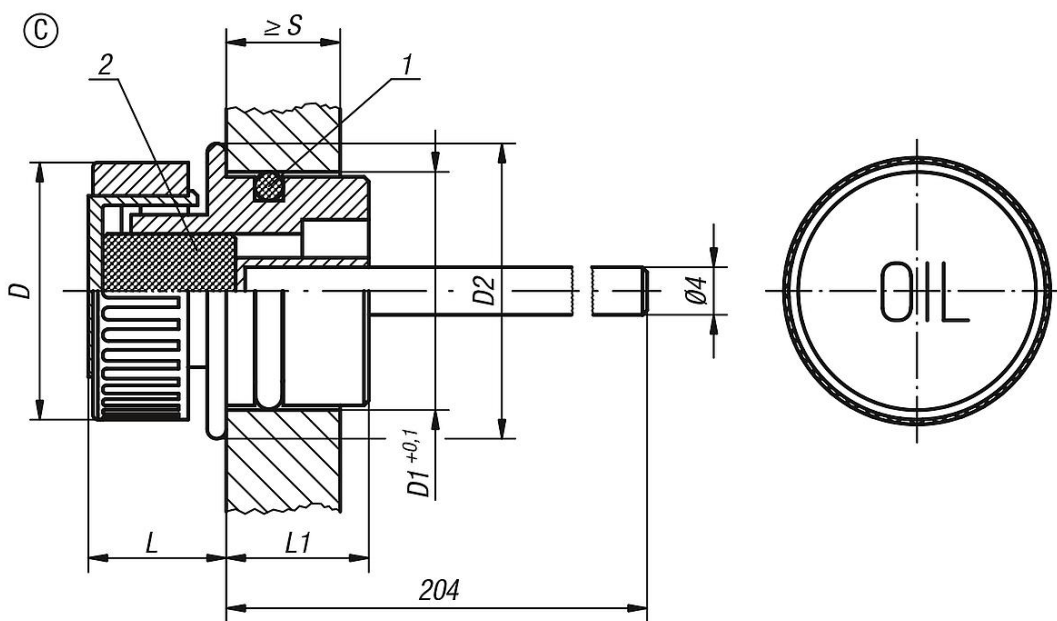
Min-Max markings.

Drawing reference:

1) O-ring

2) air filter

Drawings



Overview of items

Order No.	Form	D	D1	D2	L	L1	S min.
28048-33018	C	30	18	23	14	14	8

